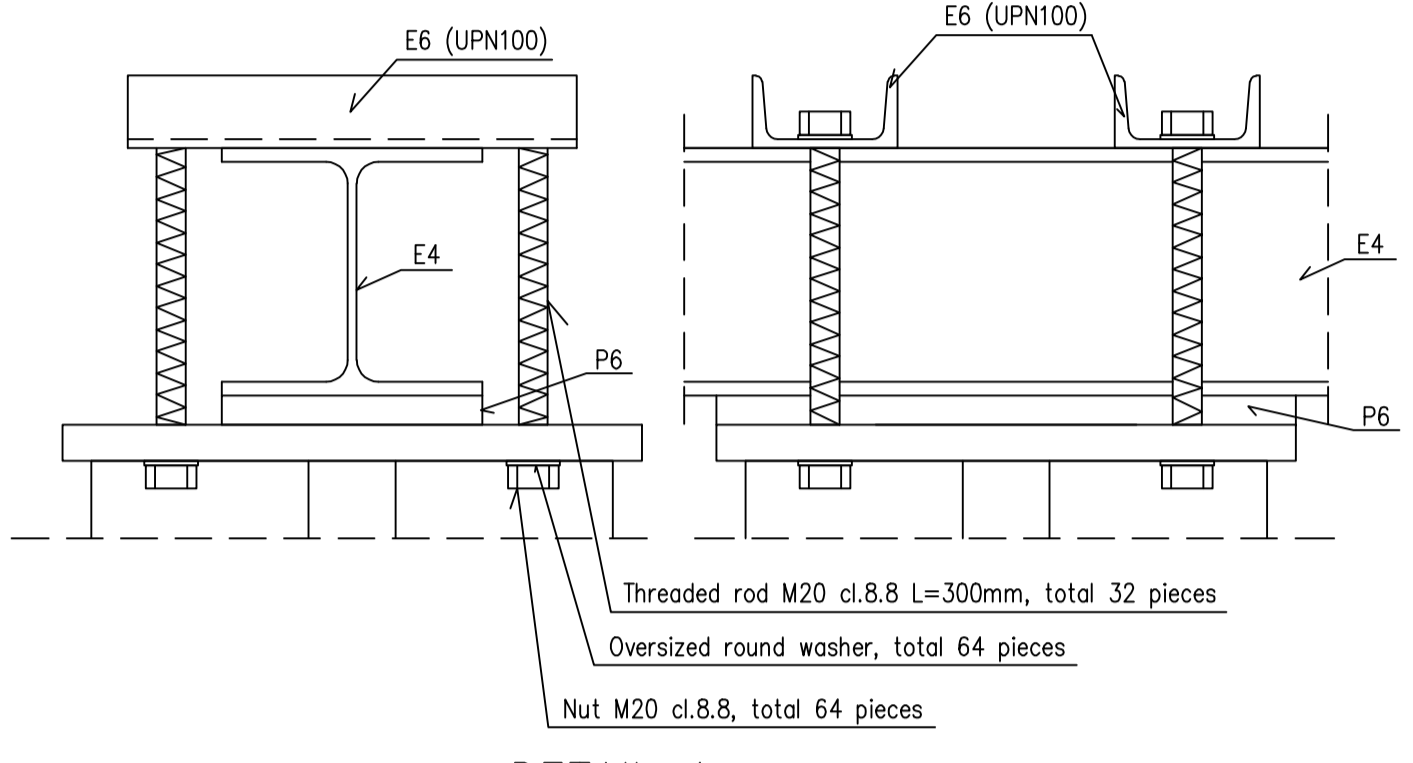
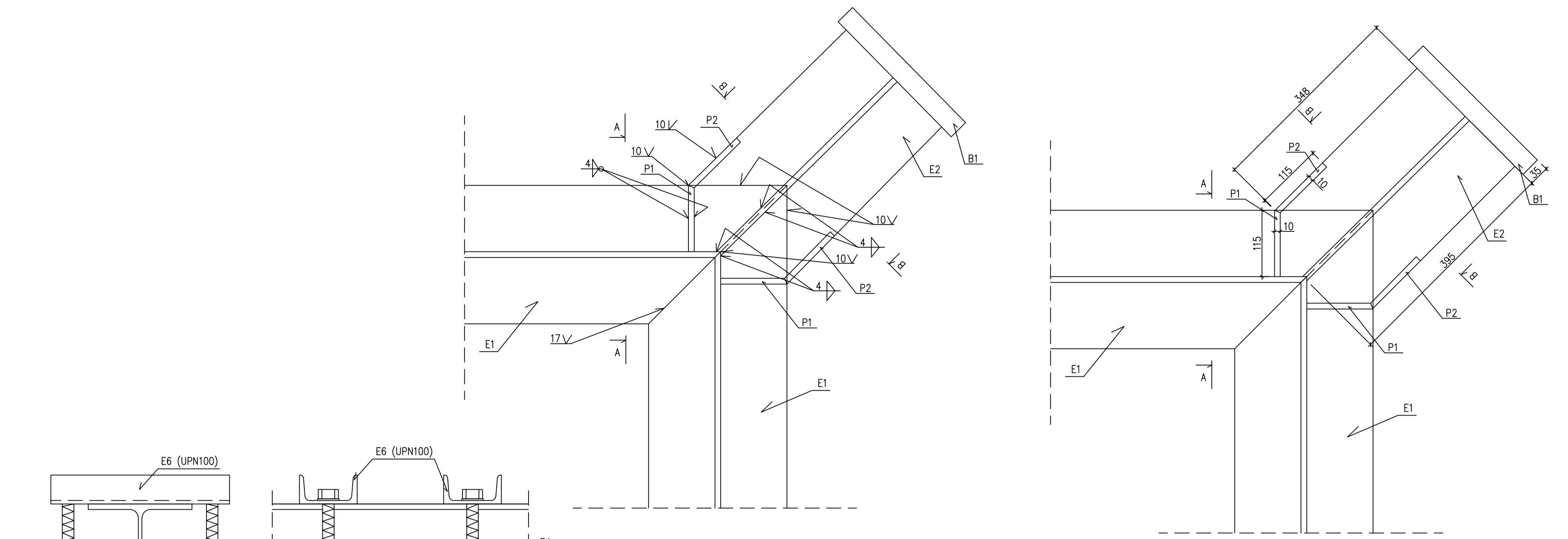
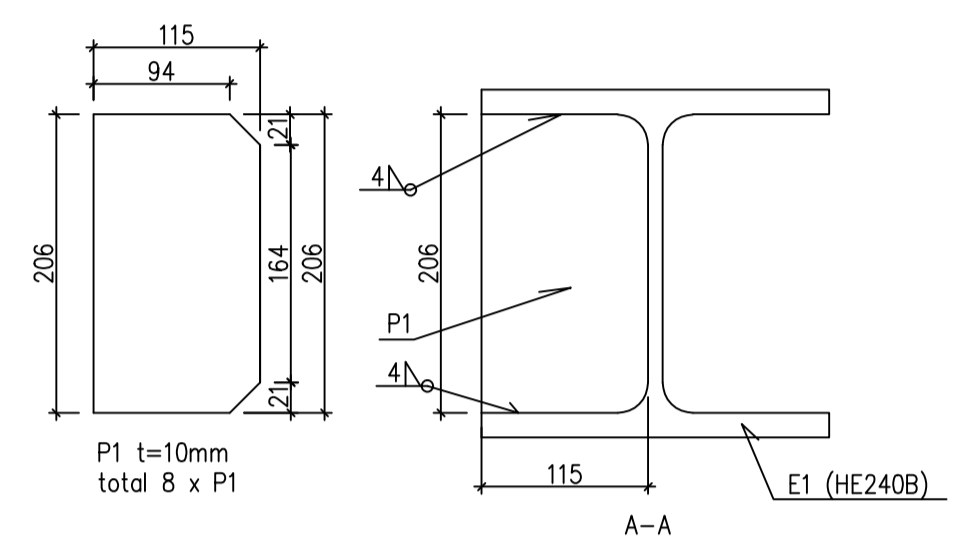
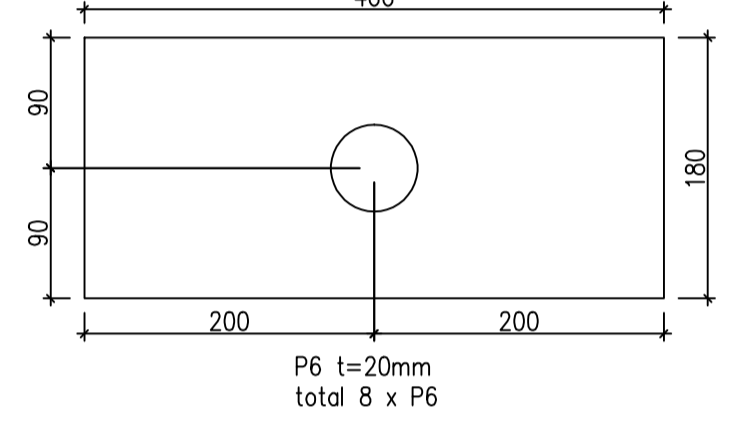


**GROUND PLUG**

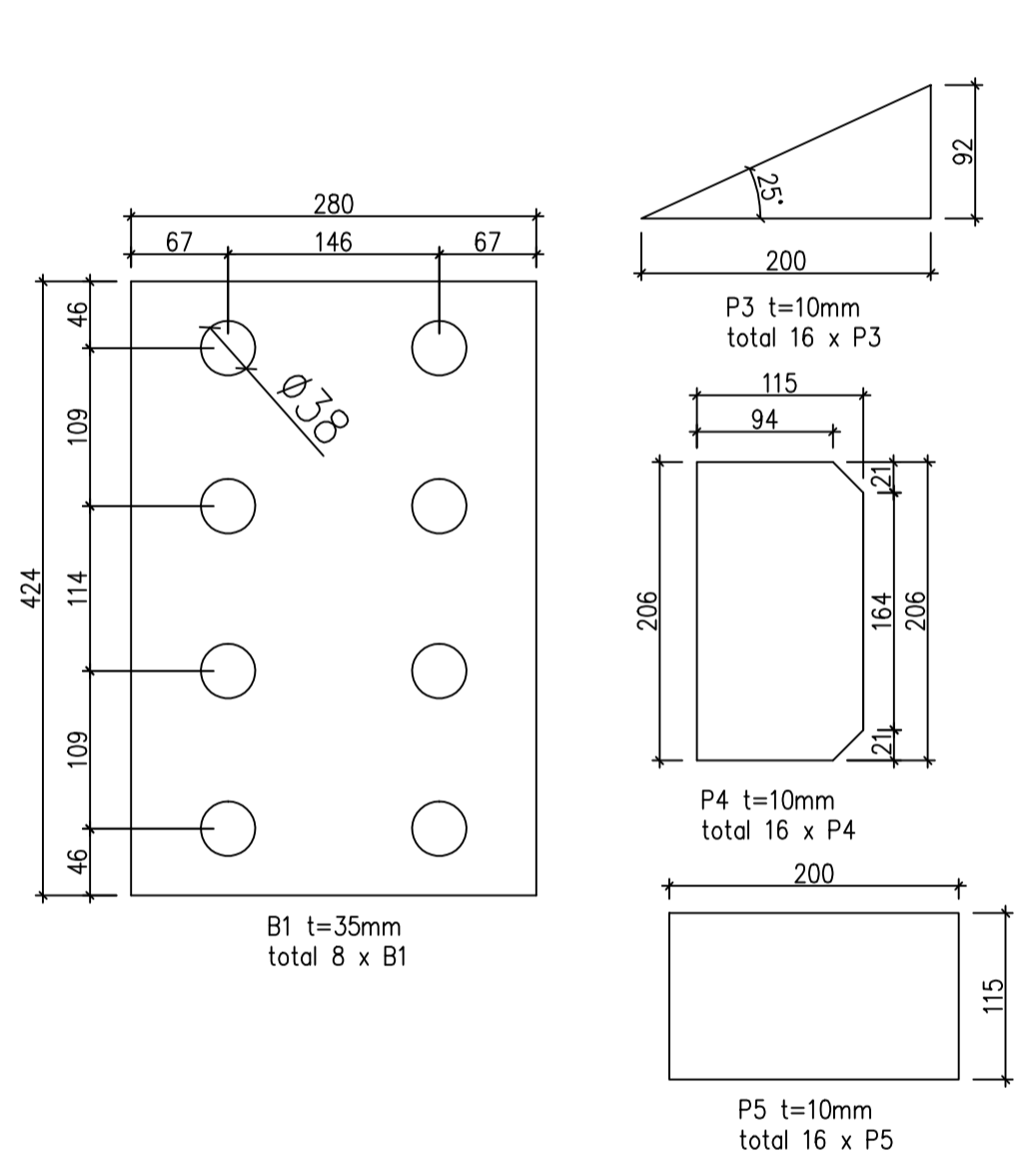
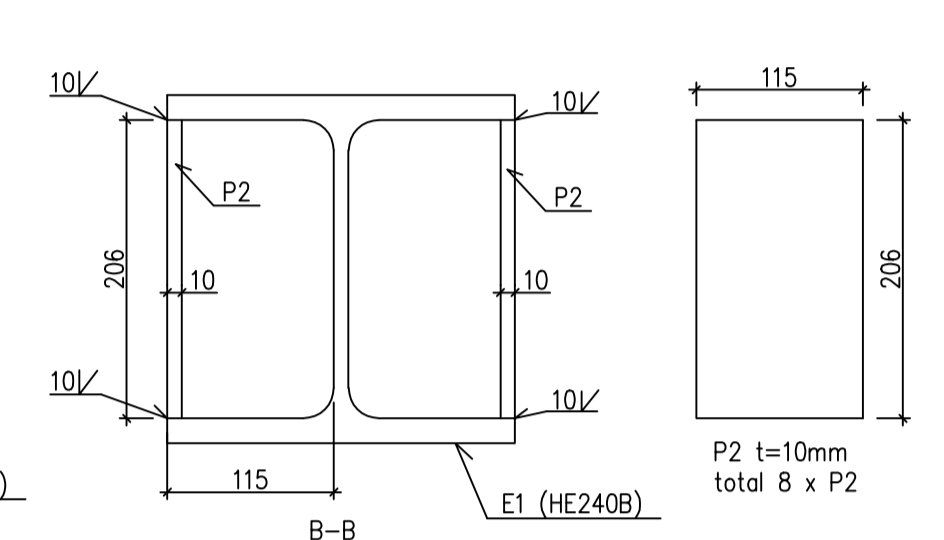
Finish	paint	Material/Steel grade	S355	Sub-grade	-	Tolerances acc. to:	PN-EN ISO 9013:2008 PN-EN ISO 13920:2000 EXC2
Design	www.groundplug.com	Date	2016-03-13	Scale	1:10	Change/Date	0000-00-00
Draw	Name	Signature		Format	A1	rev.	-
Check							
Confirm							
Product	Frame	File name	Prod. drawing	Number of drawing	1	Projection	III
Object name	Trinidad Tabago						



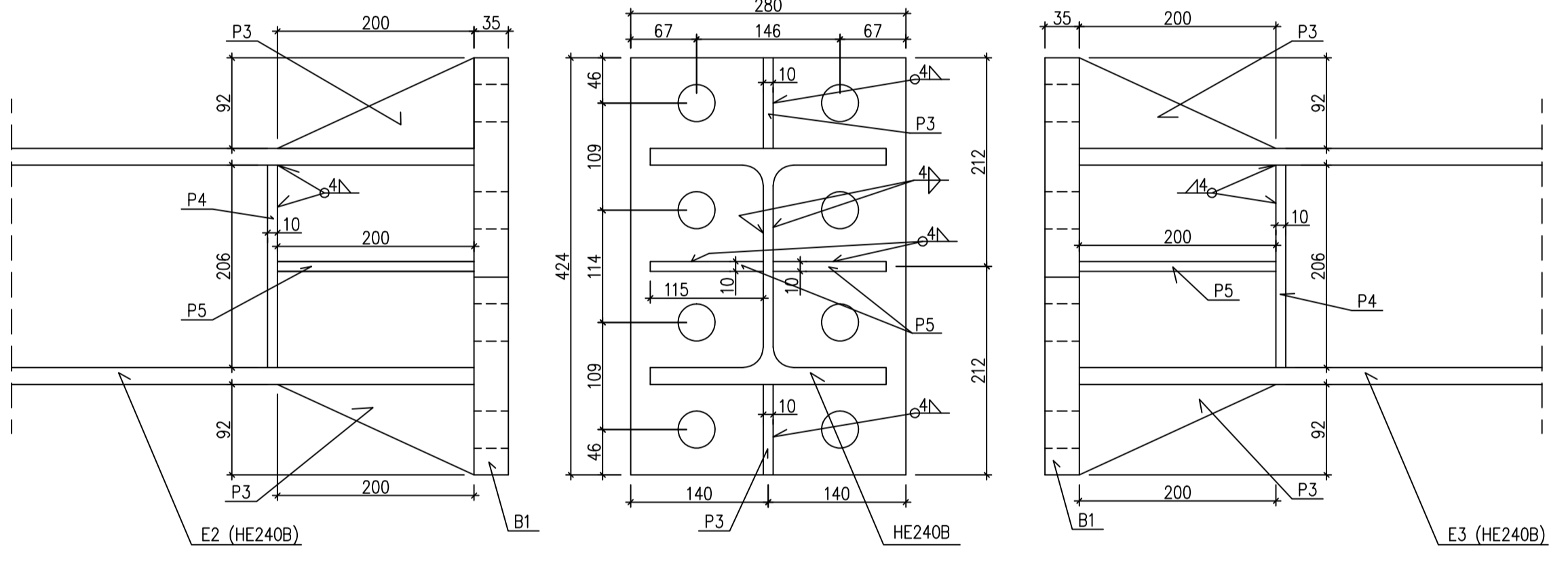
DETAIL 4



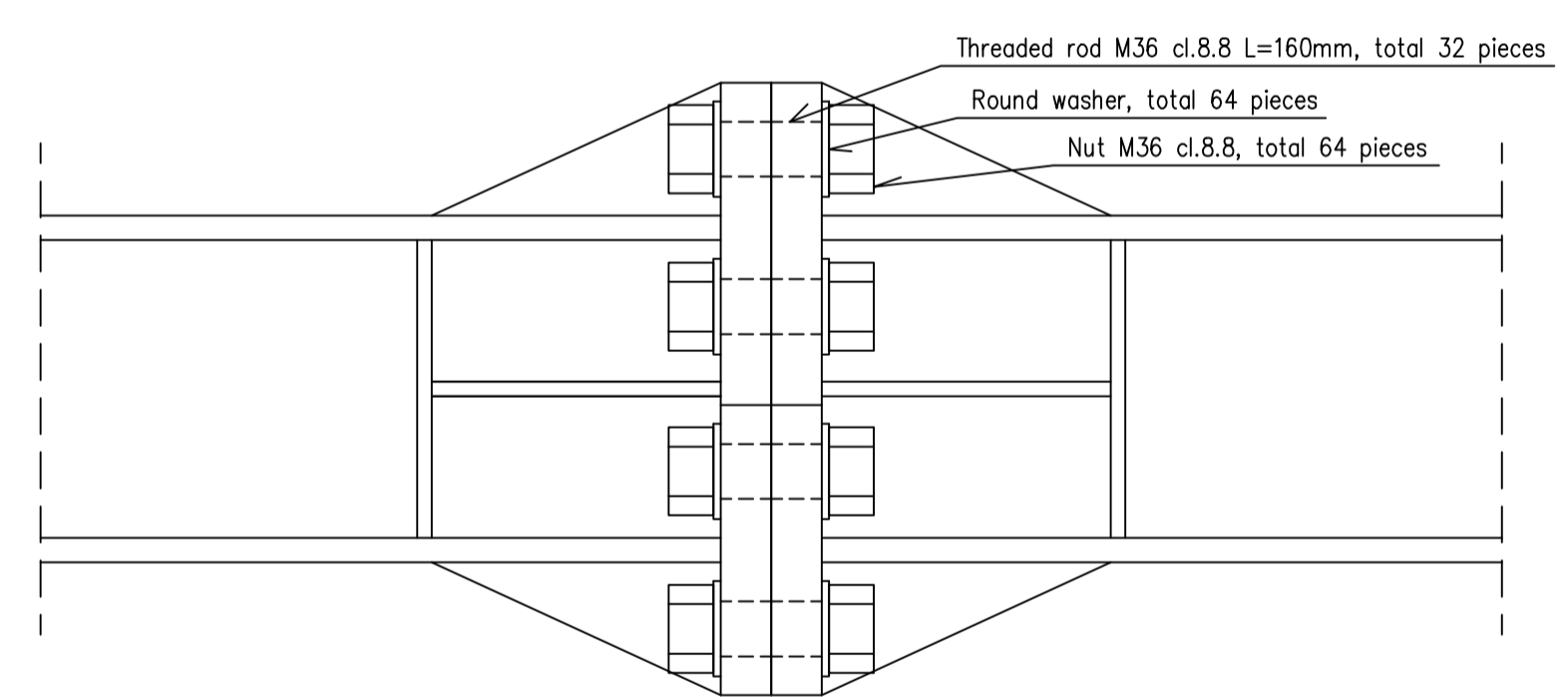
DETAIL 1



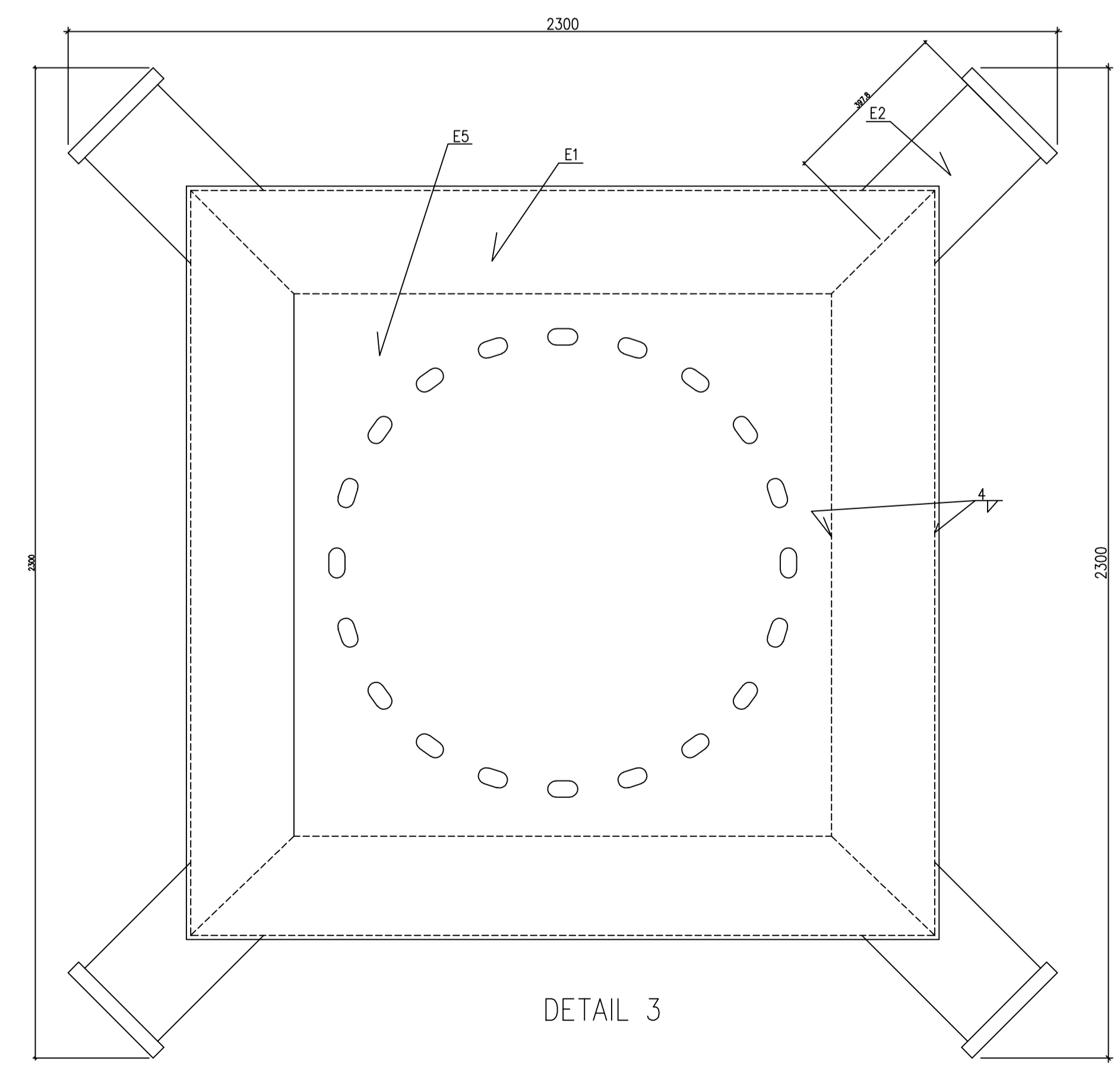
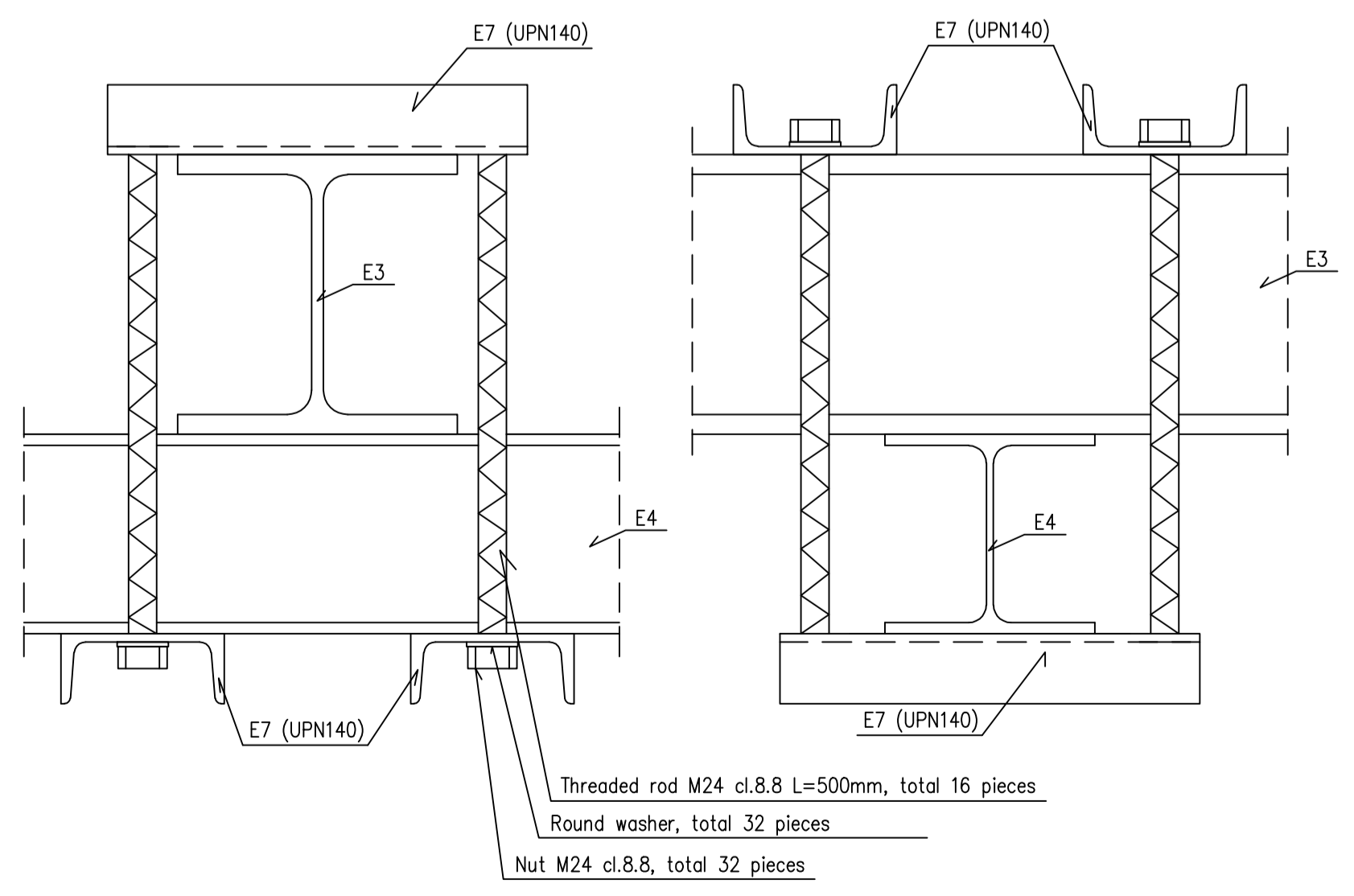
DETAIL 3



DETAIL 2



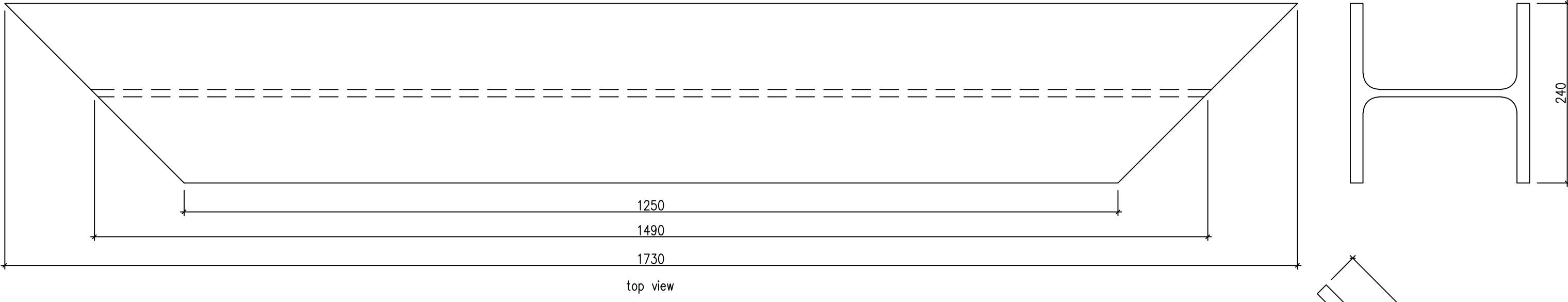
DETAIL 5



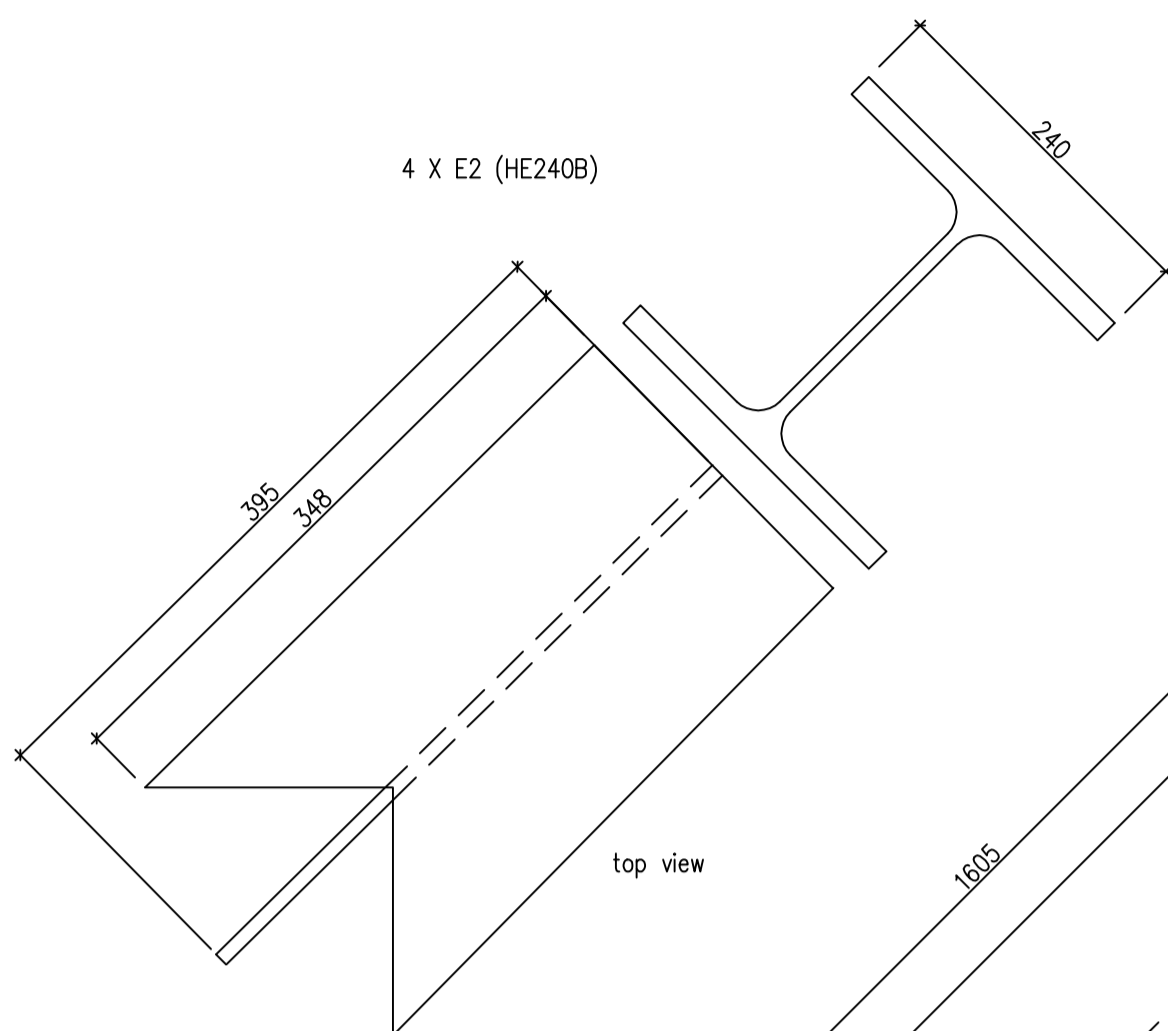
Finish		Material/Steel grade	Sub-grade	Tolerances acc. to:
paint		S355	-	PN-EN ISO 9013:2008
Design	www.groundplug.com	Date	2016-03-13	Scale
Draw		Signature		1:10
Check		Date		Format
Confirm		Format	A1	rev.
Product	Details/ frame	File name	Prod. drawing	
Object name	Trinidad Tabago	Number of drawing	2	
		Sheet	Projection	

ELEMENTS

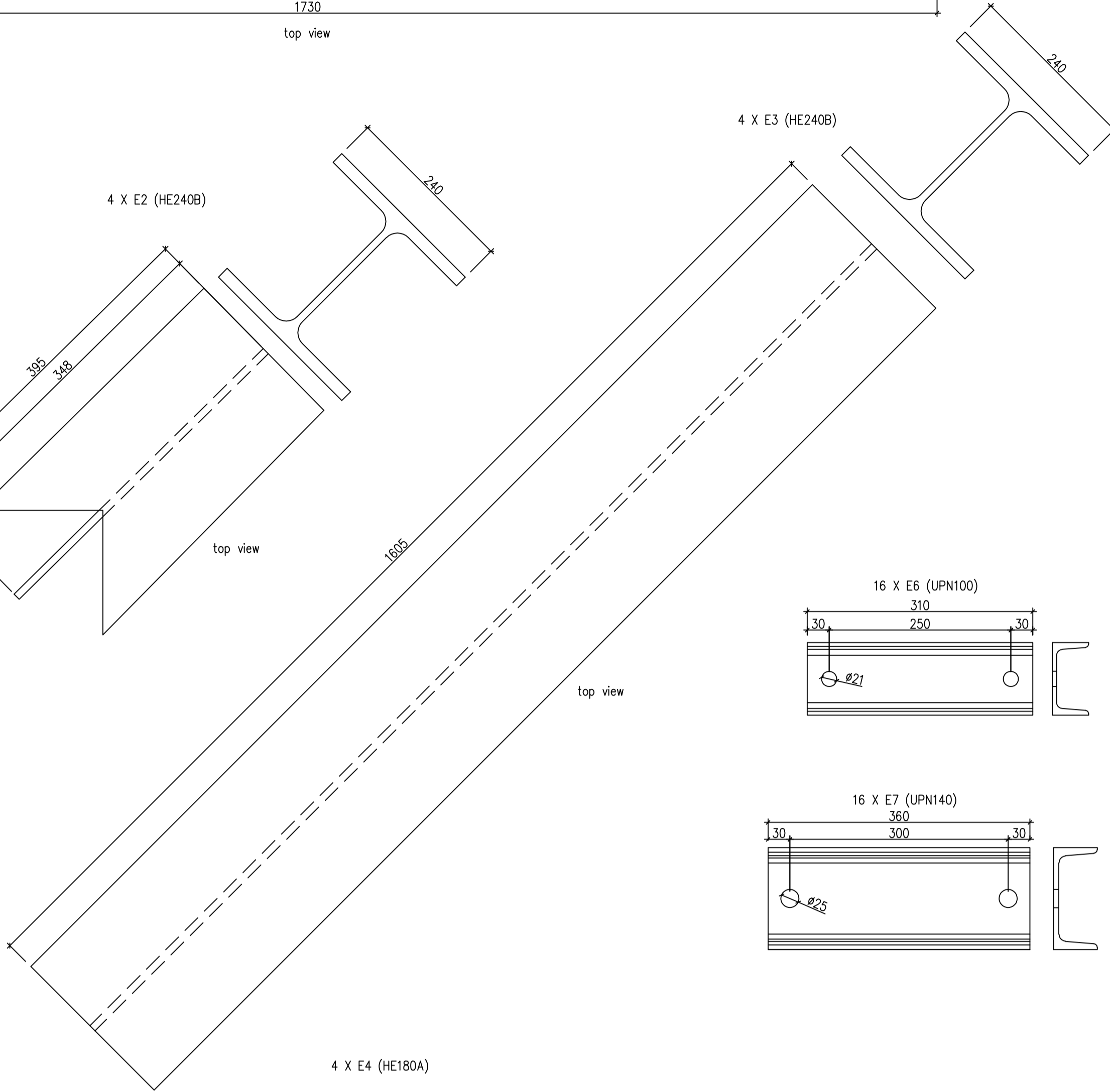
4 X E1 (HE240B)



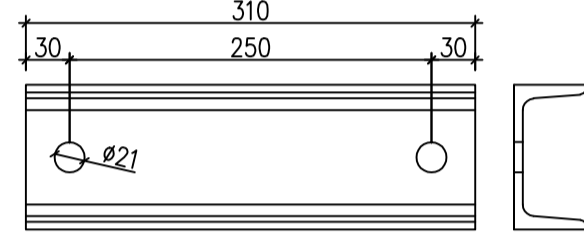
4 X E2 (HE240B)



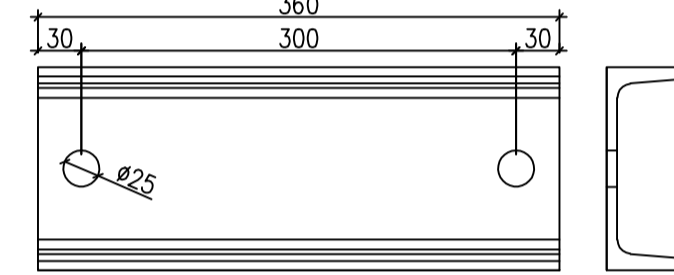
4 X E3 (HE240B)



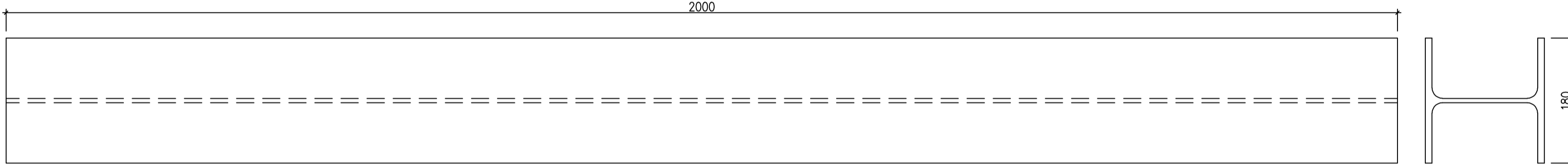
16 X E6 (UPN100)



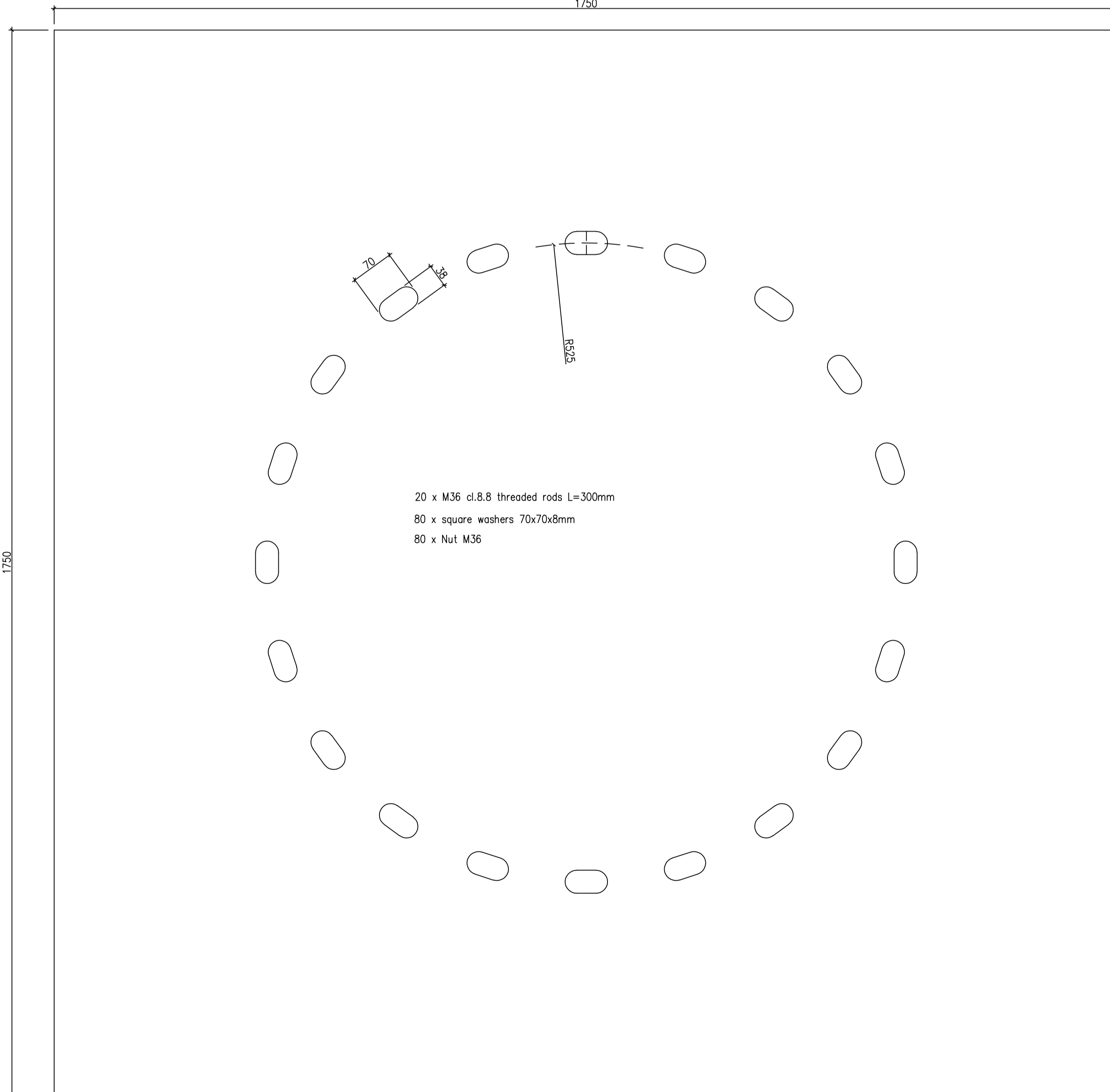
16 X E7 (UPN140)



4 X E4 (HE180A)

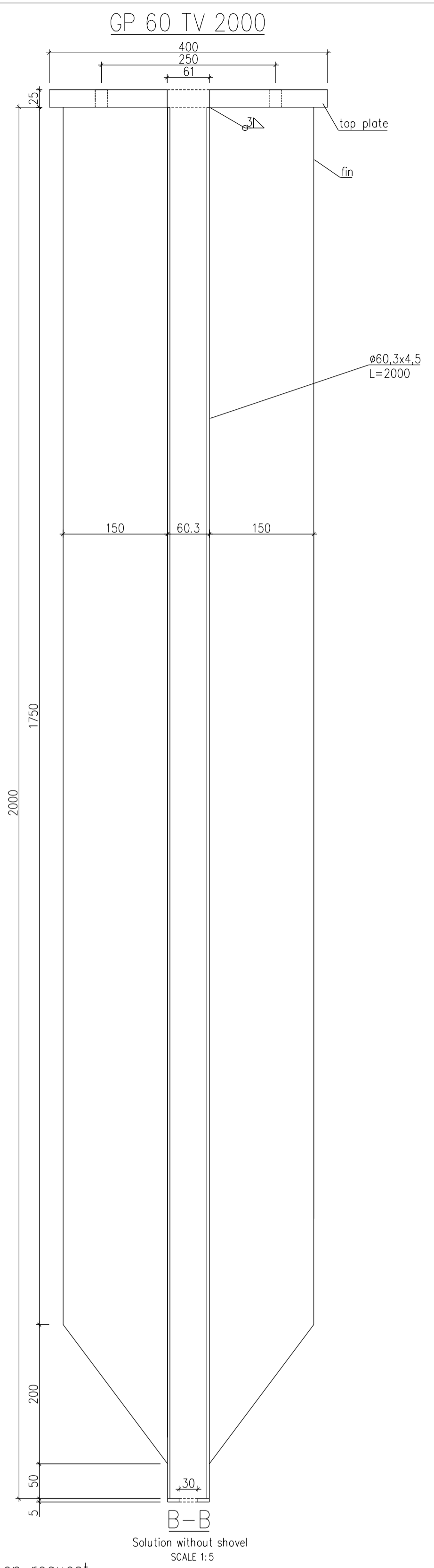
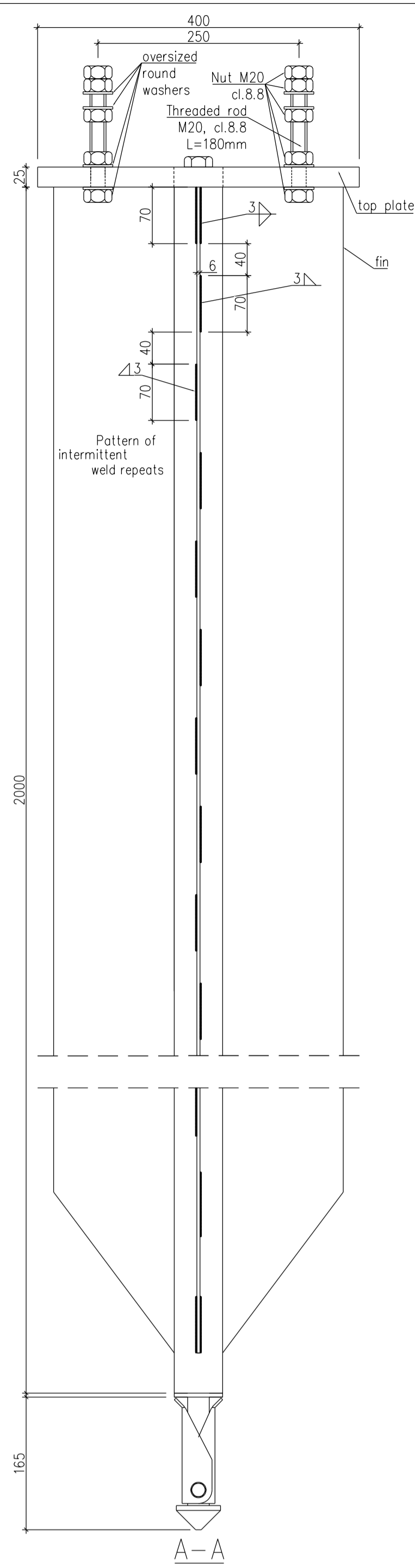
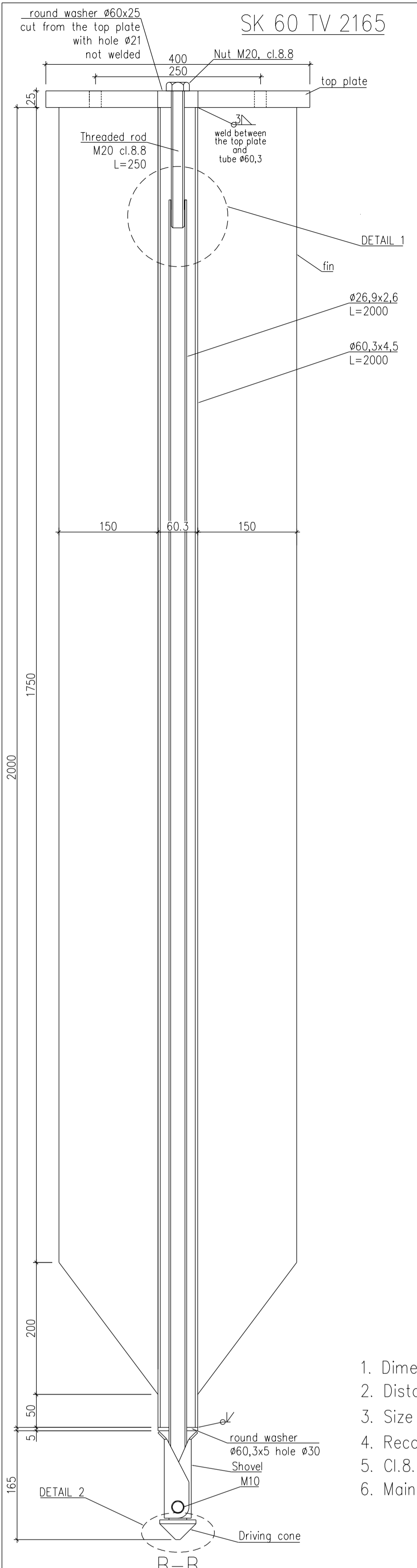


1 X E5, t=35mm  
1750



**GROUND PLUG**

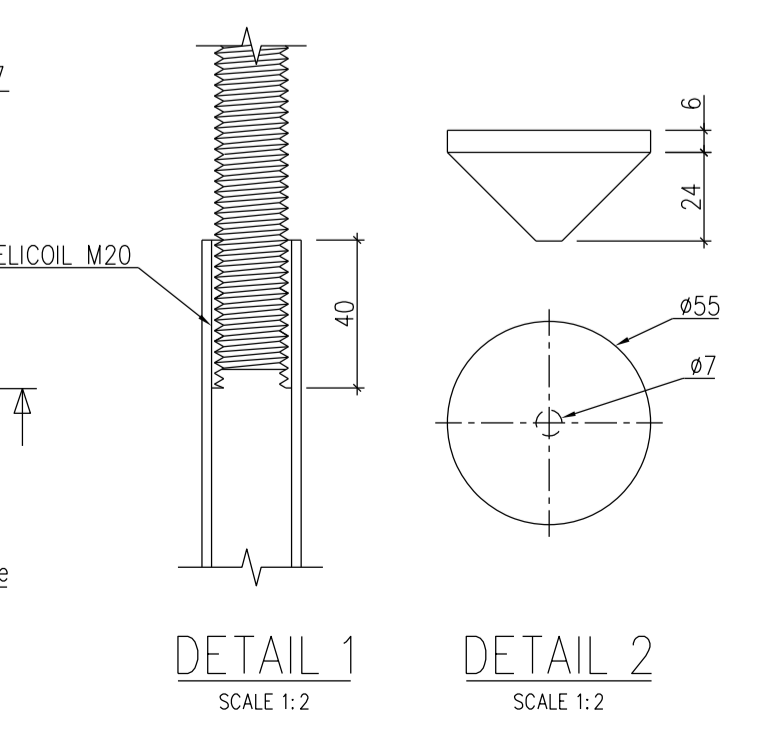
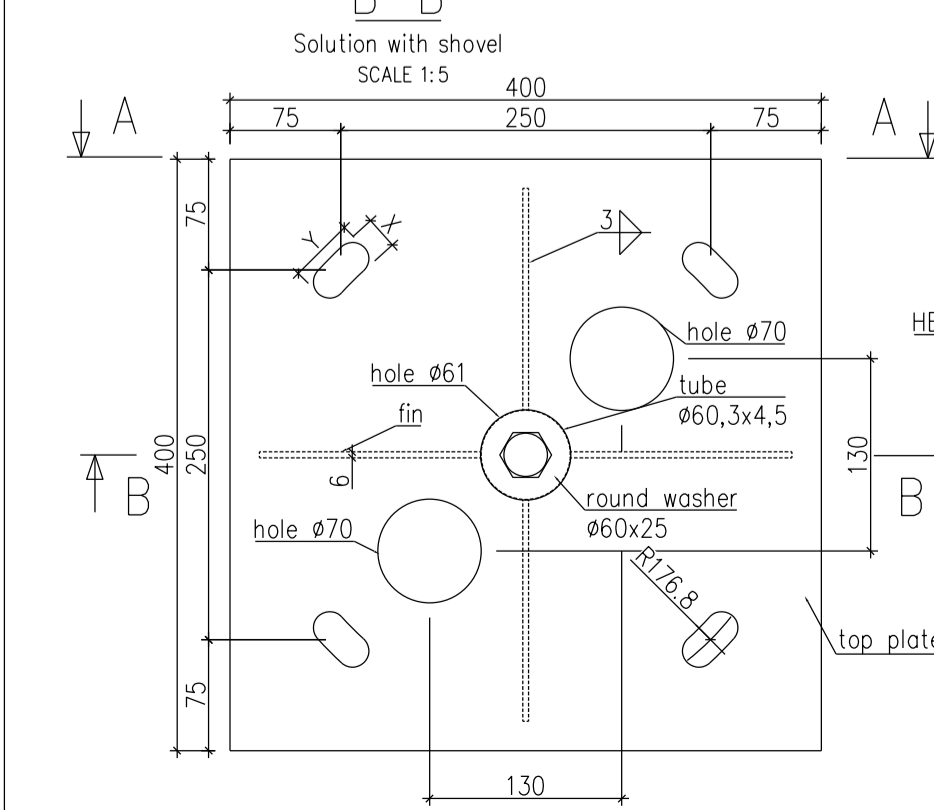
Finish	paint	Material/Steel grade	S355	Sub-grade	-	Tolerances acc. to:	PN-EN ISO 9013:2008 PN-EN ISO 13920:2000 EXC2
Design	www.groundplug.com	Date	2016-03-13	Scale	1:10	Change/Date	0000-00-00
Draw	Name	Signature		Format	A1	rev.	-
Check							
Confirm							
Product	Elements/ frame		File name		Prod. drawing		
Object name	Trinidad Tabago		Number of drawing		3		
						Projection	III ⊕



- REMARKS:
1. Dimensions of holes for bolts based on contracting body need.
  2. Distance between holes based on contracting body need.
  3. Size of bolts/threaded rods based on contracting body need.
  4. Recommended bolts/threaded rods are: M20 cl.8.8.
  5. Cl.8.8 can be changed to A4-80 upon request.
  6. Main grade of the steel is s355. It can be changed to s235 upon request.

Recommendation for banana holes and bolt/threaded rods group:

	X [mm]	Y [mm]	type	amount
banana hole	22	50		
threaded rod			M20, cl. 8.8 L=180mm	4
nut			M20, cl. 8.8	20
oversized round washer			M20	16



**GROUND PLUG™**

Finish	Acc. to EN ISO 1461	Material/Steel grade	S355J0	Sub-grade	-	Tolerances acc. to:	PN-EN ISO 9013:2008 PN-EN ISO 13920:2000
Design	www.groundplug.com	Date	2014-12-09	Scale	1:5; 1:2		
Draw	www.groundplug.com	Date	2014-12-09	Format	A2	Version	v1
Check	Name	Signature		File name	Prod. drawing	Change/Date	2014-12-09
Confirm	Name	Signature		Top plate	400x400	Number of drawing	GroundPlug
Product	GP60TV2000/SK60TV2165	Object name	GP60TV2000/SK60TV2165	cc250		Sheet	Projection