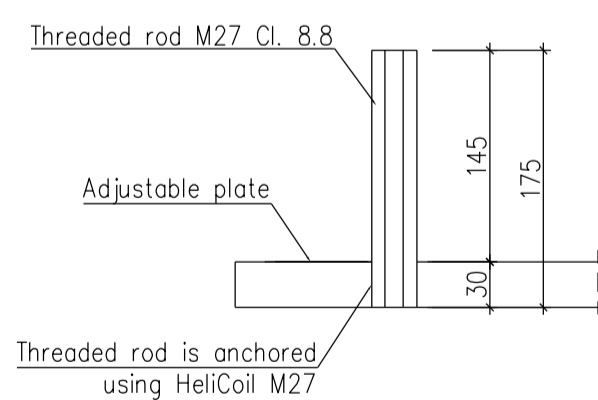
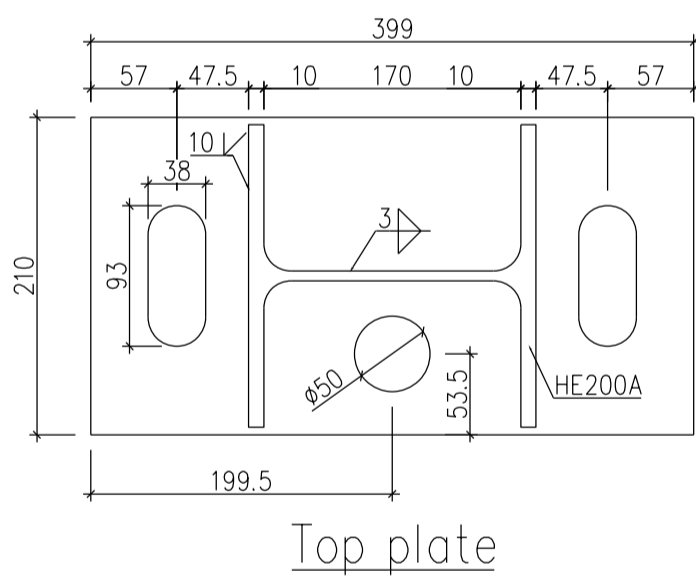
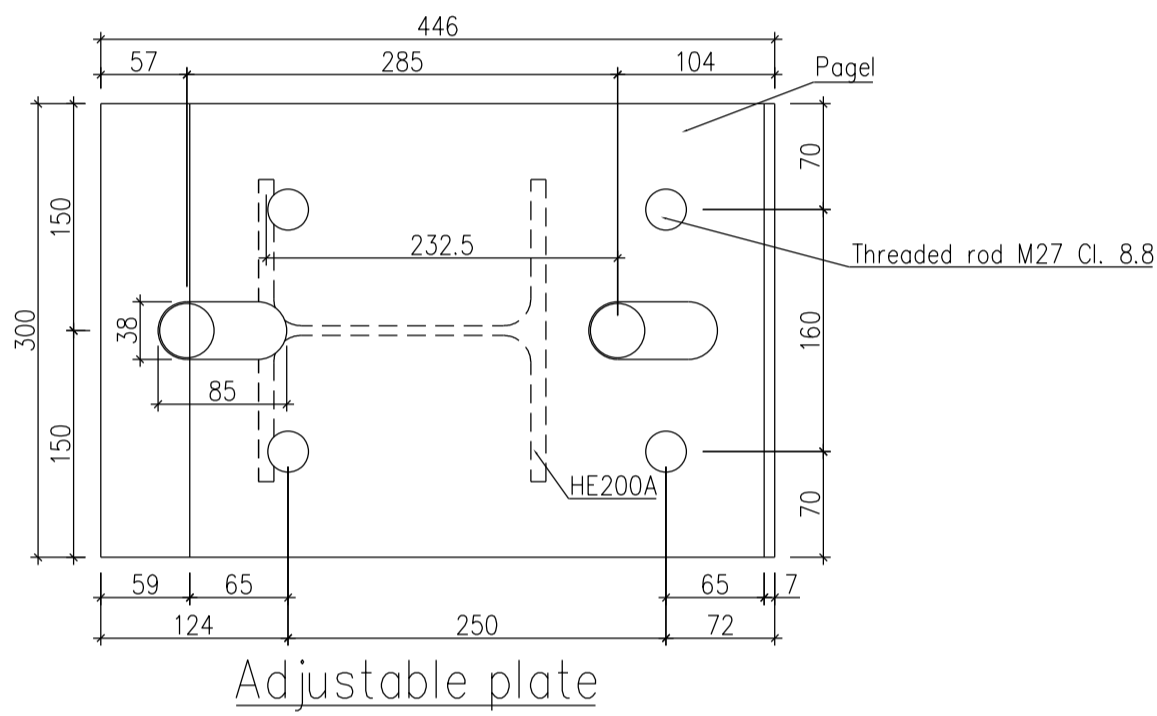
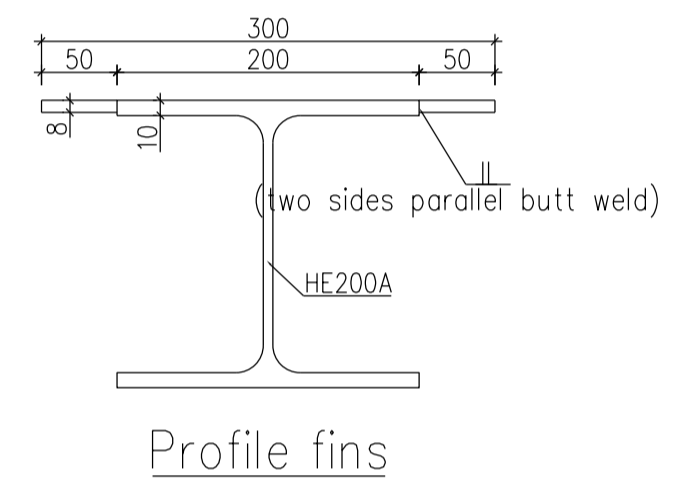


GroundPlug HE200A



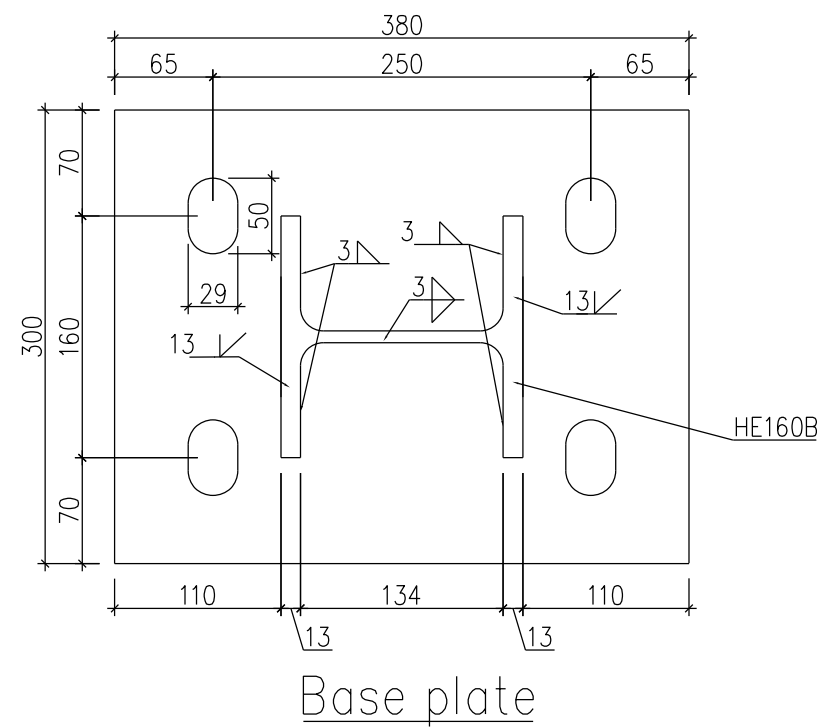
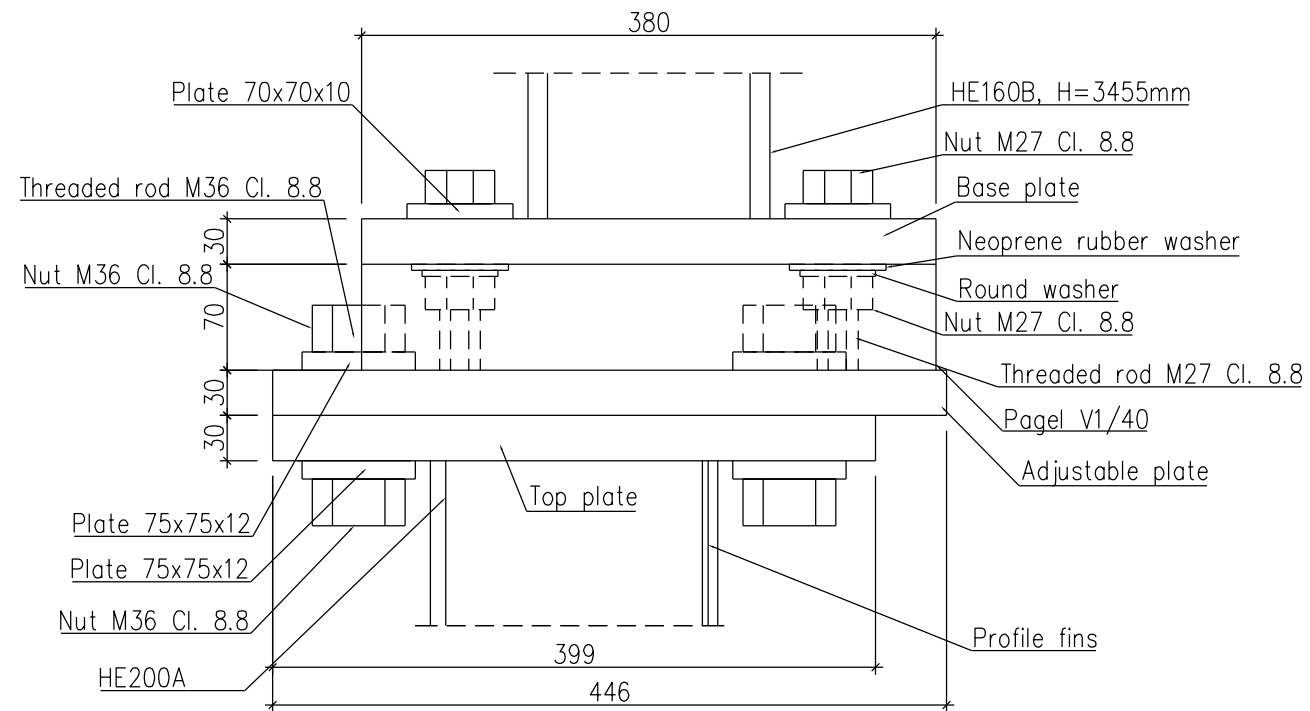
DETAIL 1

REMARKS:

- Such GroundPlug is used for posts :
 S2-31892 - S2-31907
 S2-32019 - S2-32034
- Based on above: 8xGroundPlug

GROUND PLUG™

Finish Zinc coating 200 um	Material/Steel grade S355J2	Sub-grade	Tolerances acc. to: PN-EN ISO 9013:2008 PN-EN ISO 13920:2000 EXC2
Design www.groundplug.com	Draw www.groundplug.com	2014-07-29 2014-07-29	Scale 1:5;1:2
Check Name	Signature	Format A2	Version v7
Confirm		File name	Sheet
Product GROUNDPLUG HE200A	Object name HE200A/300/3900 H1	Number of drawing HE200A	Projection



REMARKS:

1. This is used for posts :
S2-31897 – S2-31907
S2-32019 – S2-32029
2. Based on above: 6xPost

GROUND PLUG™

Finish Zinic coating 150 um	Material/Steel grade S355J2	Sub-grade	Tolerances acc. to: PN-EN ISO 9013: 2008 PN-EN ISO 13920: 2000 EXC2	
Design www.groundplug.com	Name www.groundplug.com	Signature	Date 2014-07-29	Scale 1:5;1:2
Check	Name	Signature	Date	Format A3
Confirm	Name	Signature	Date	Version v7
Product Post HE160B	File name		Sheet	
Object name H1/M27	Number of drawing HE160B		Projection 	