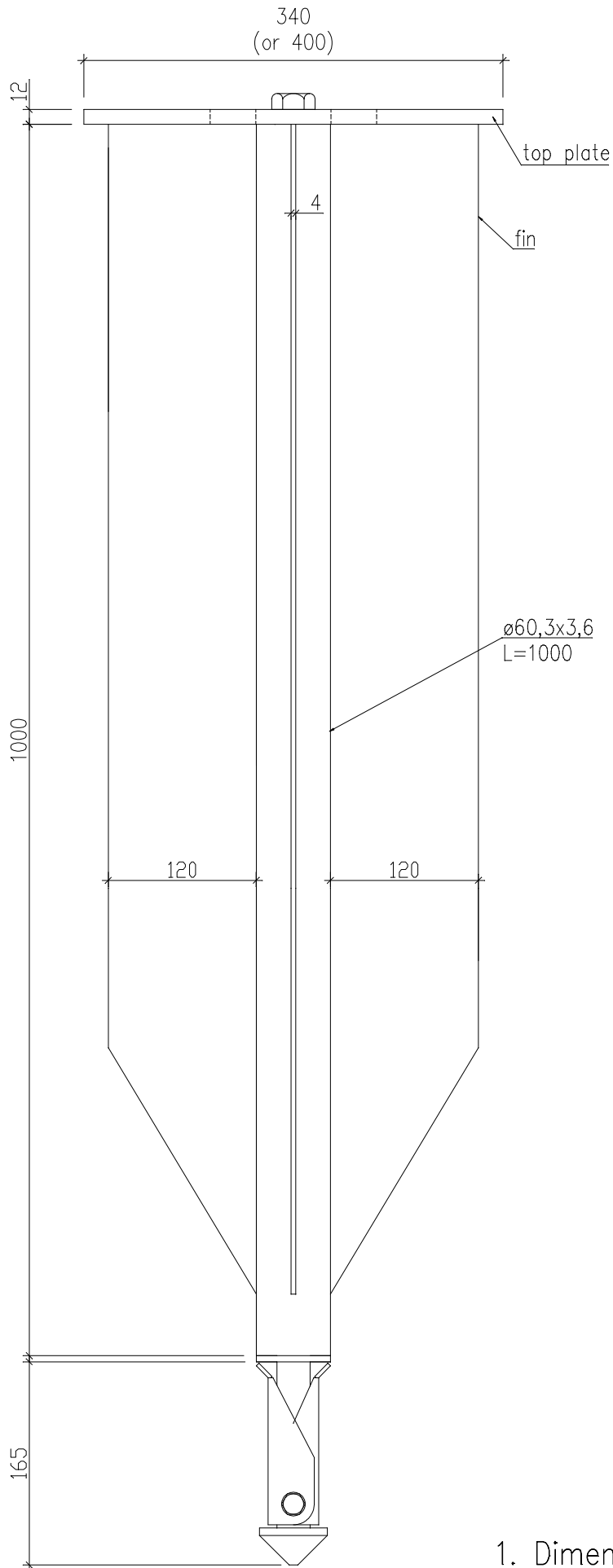
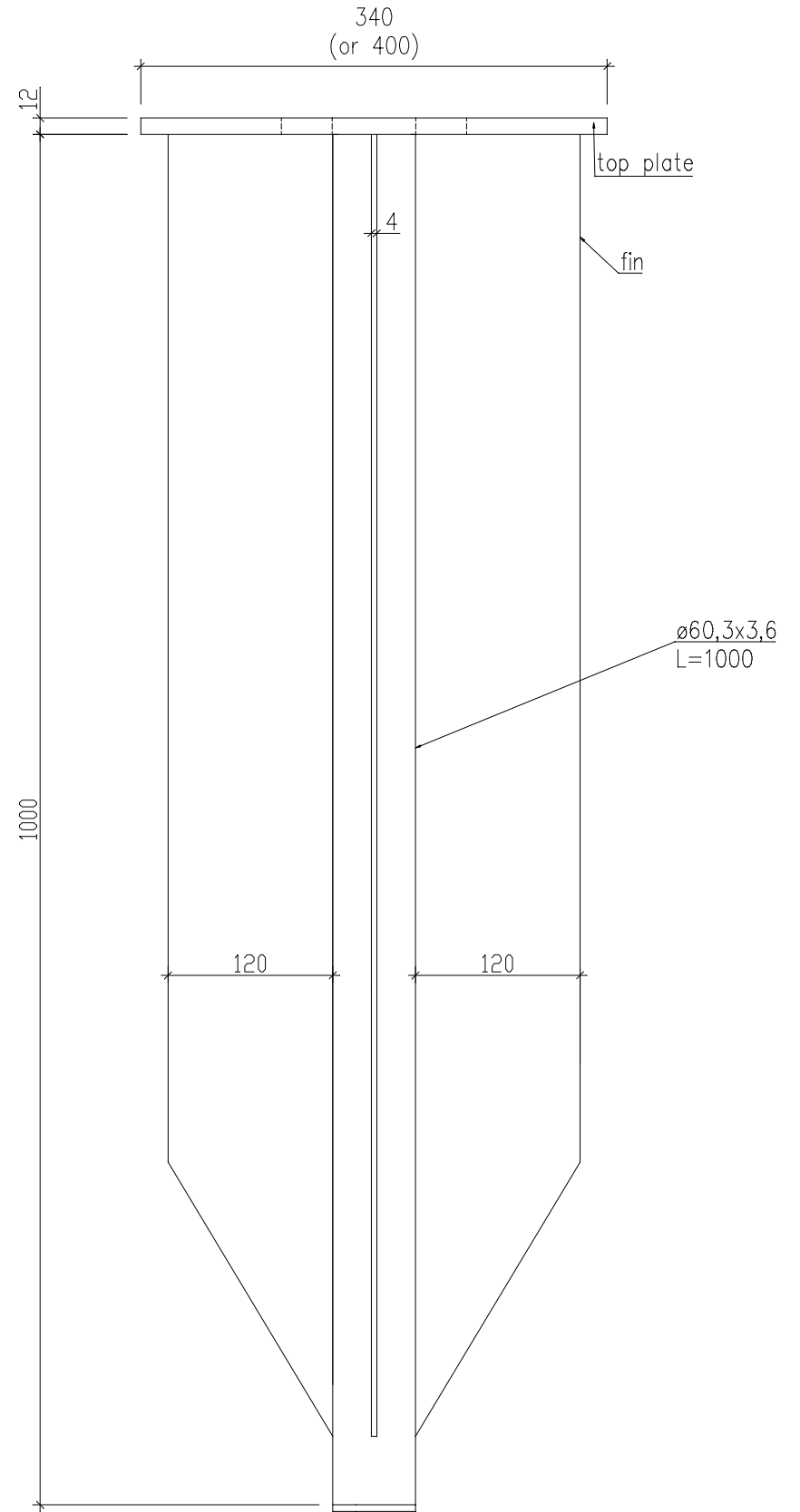


# SK 60 TV 1165



**A-A**  
Solution with shovel  
SCALE 1:5

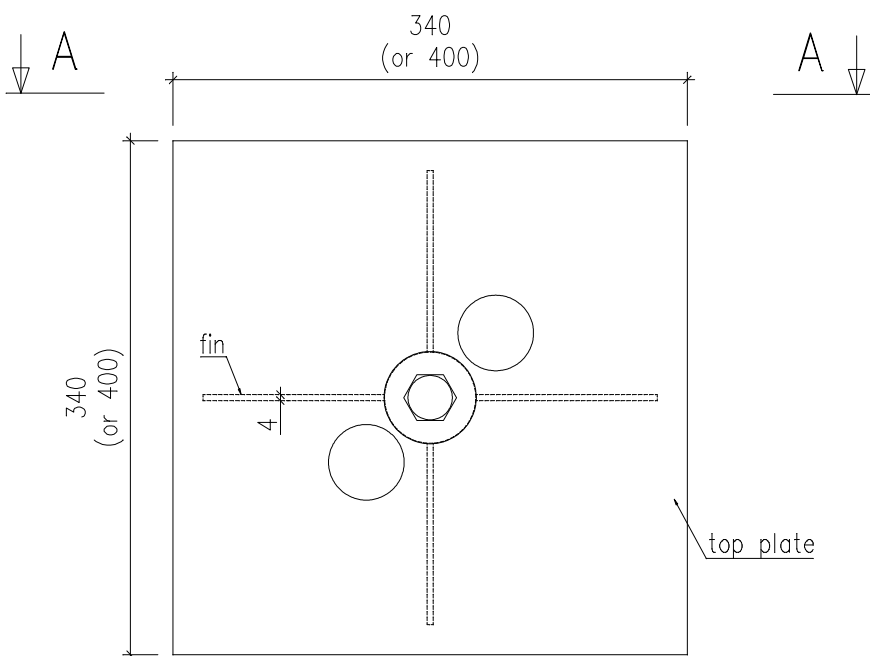
# GP 60 TV 1000



**A-A**  
Solution without shovel  
SCALE 1:5

## REMARKS:

1. Dimensions of holes for bolts based on contracting body need.
2. Distance between holes based on contracting body need.
3. Size of bolts/threaded rods based on contracting body need.
4. Recommended bolts/threaded rods are: M20 cl.8.8.
5. Cl.8.8 can be changed to A4-80 upon request.
6. Main grade of the steel is s355. It can be changed to s235 upon request.



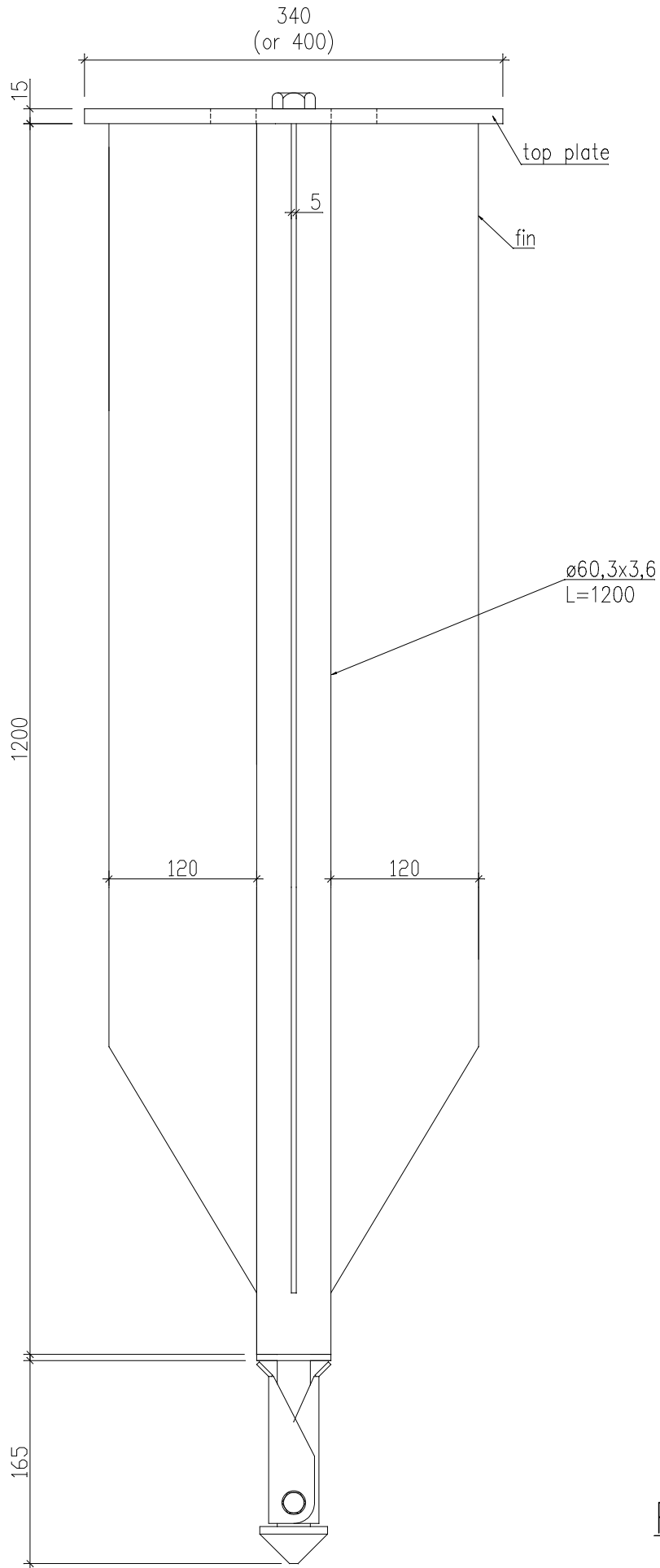
# CONFIDENTIAL

## GROUND PLUG™

Finish Acc. to EN ISO 1461		Material/Steel grade S355		Sub-grade -		Tolerances acc. to: PN-EN ISO 9013:2008 PN-EN ISO 13920:2000	
Design	www.groundplug.com	Signature	Date	2015-03-18		Scale 1:5;1:2	
Draw	www.groundplug.com			2015-03-18			
Check	Name	Signature	Date	Format A3	Version v1	Change/Date 2015-03-18	
Confirm							
Product GP60TV1000/SK60TV1165			Top plate 340x340 400x400		File name sales drawing		Sheet
Object name GP60TV1000/SK60TV1165					Number of drawing GroundPlug		Projection



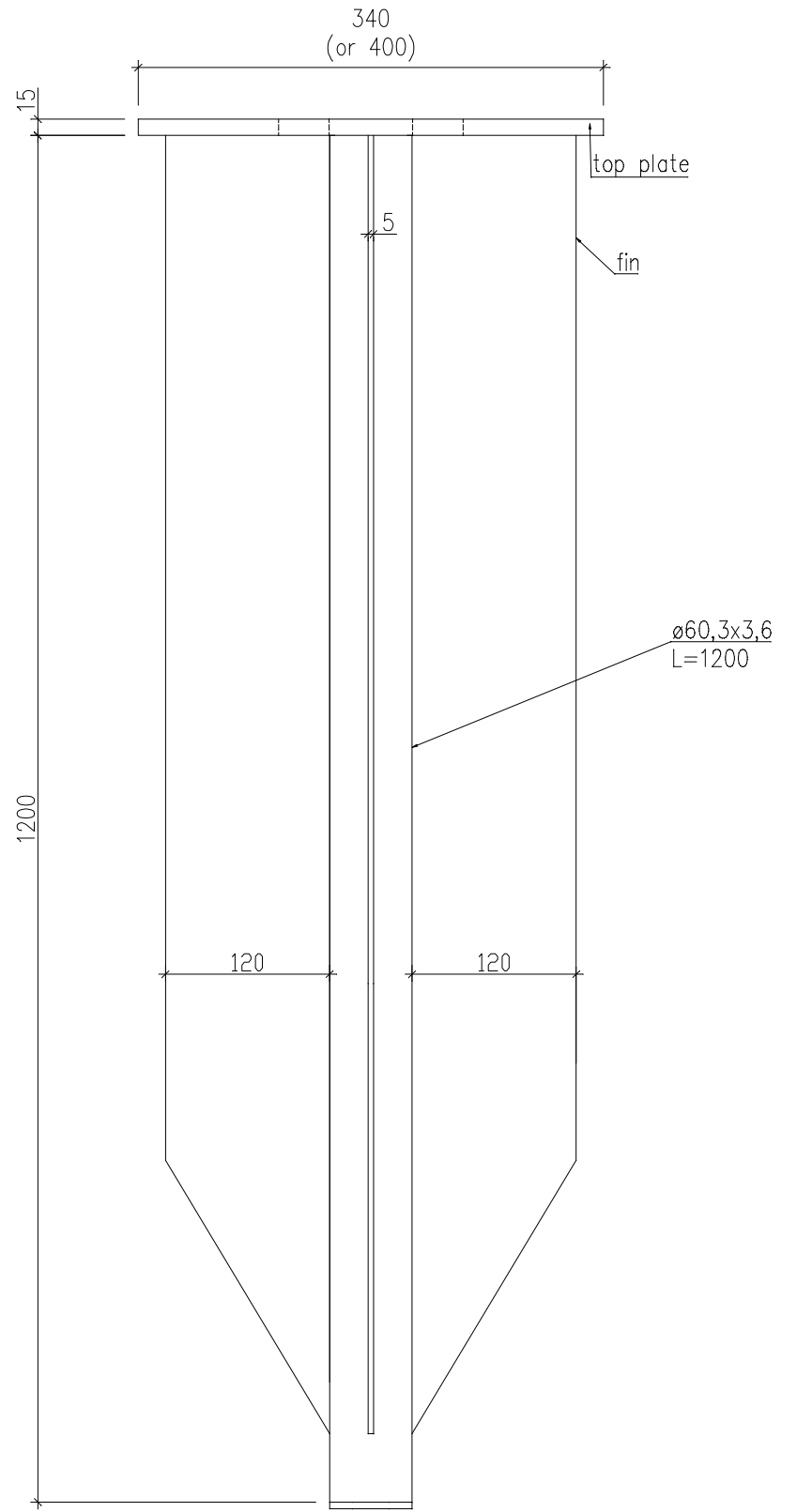
SK 60 TV 1365



A-A

Solution with shovel  
SCALE 1:5

GP 60 TV 1200

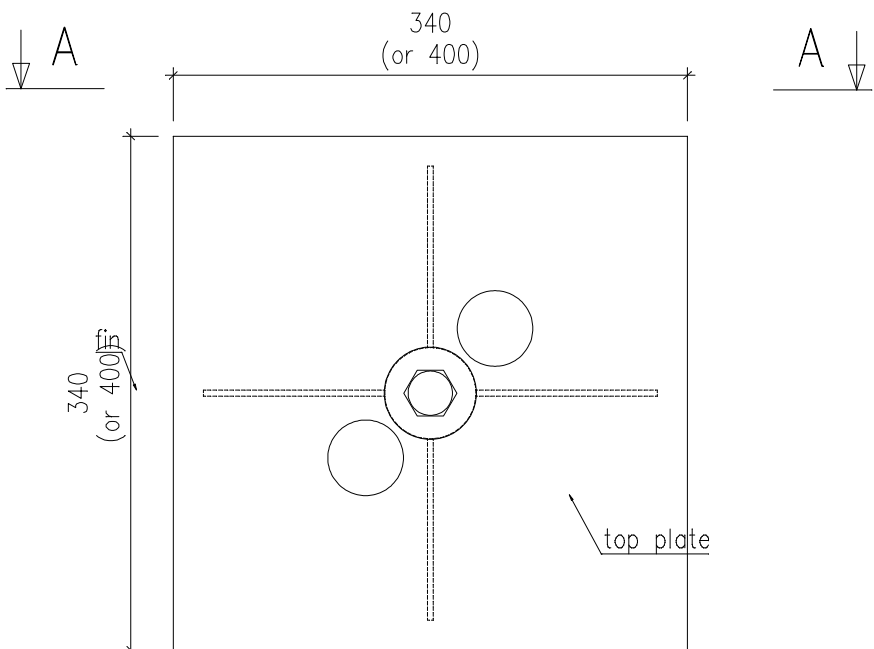


A-A

Solution without shovel  
SCALE 1:5

REMARKS:

1. Dimensions of holes for bolts based on contracting body need.
2. Distance between holes based on contracting body need.
3. Size of bolts/threaded rods based on contracting body need.
4. Recommended bolts/threaded rods are: M20 cl.8.8.
5. Cl.8.8 can be changed to A4-80 upon request.
6. Main grade of the steel is s355. It can be changed to s235 upon request.



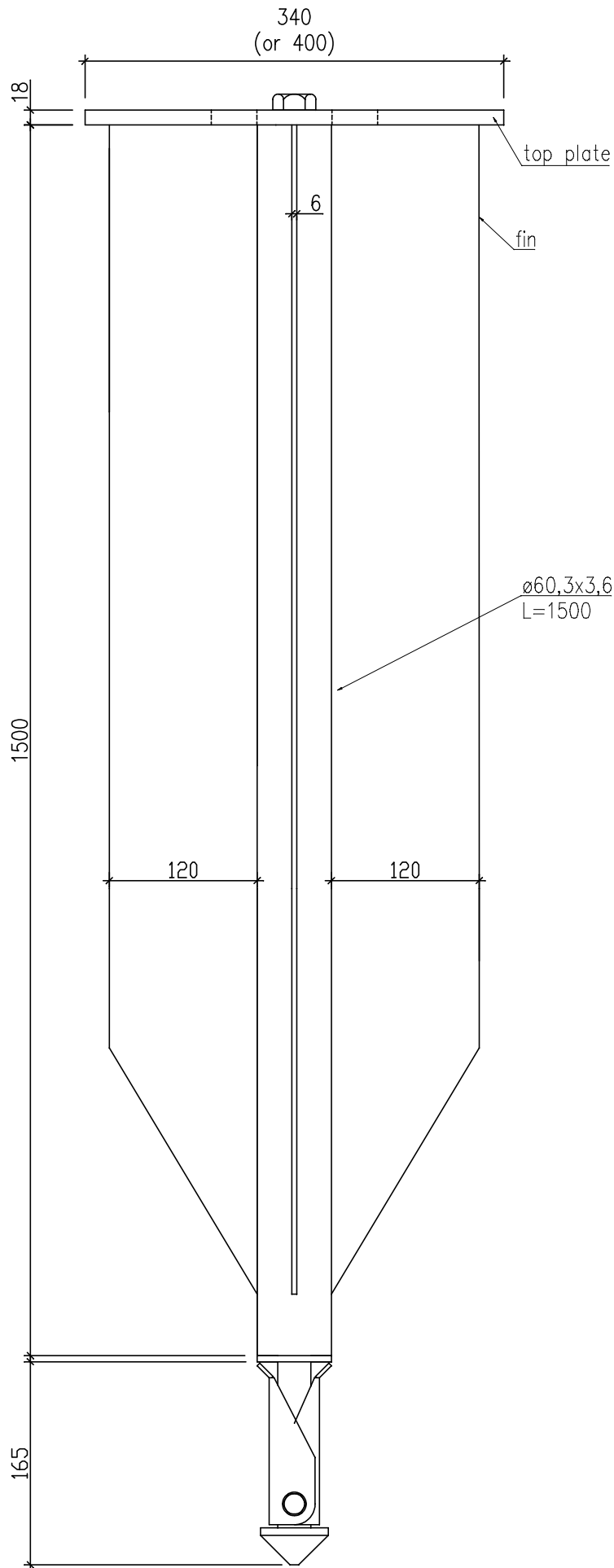
**CONFIDENTIAL**

**GROUND PLUG™**

Finish Acc. to EN ISO 1461		Material/Steel grade S355		Sub-grade -		Tolerances acc. to: PN-EN ISO 9013:2008 PN-EN ISO 13920:2000	
Design	www.groundplug.com	Signature	Date	2015-03-18		Scale 1:5;1:2	
Draw	www.groundplug.com			2015-03-18			
Check	Name	Signature	Date			Format	Version
Confirm				A3	v1	Change/Date 2015-03-18	
Product GP60TV1200/SK60TV1365			Top plate 340x340 400x400		File name sales drawing		Sheet
Object name GP60TV1200/SK60TV1365					Number of drawing GroundPlug		Projection



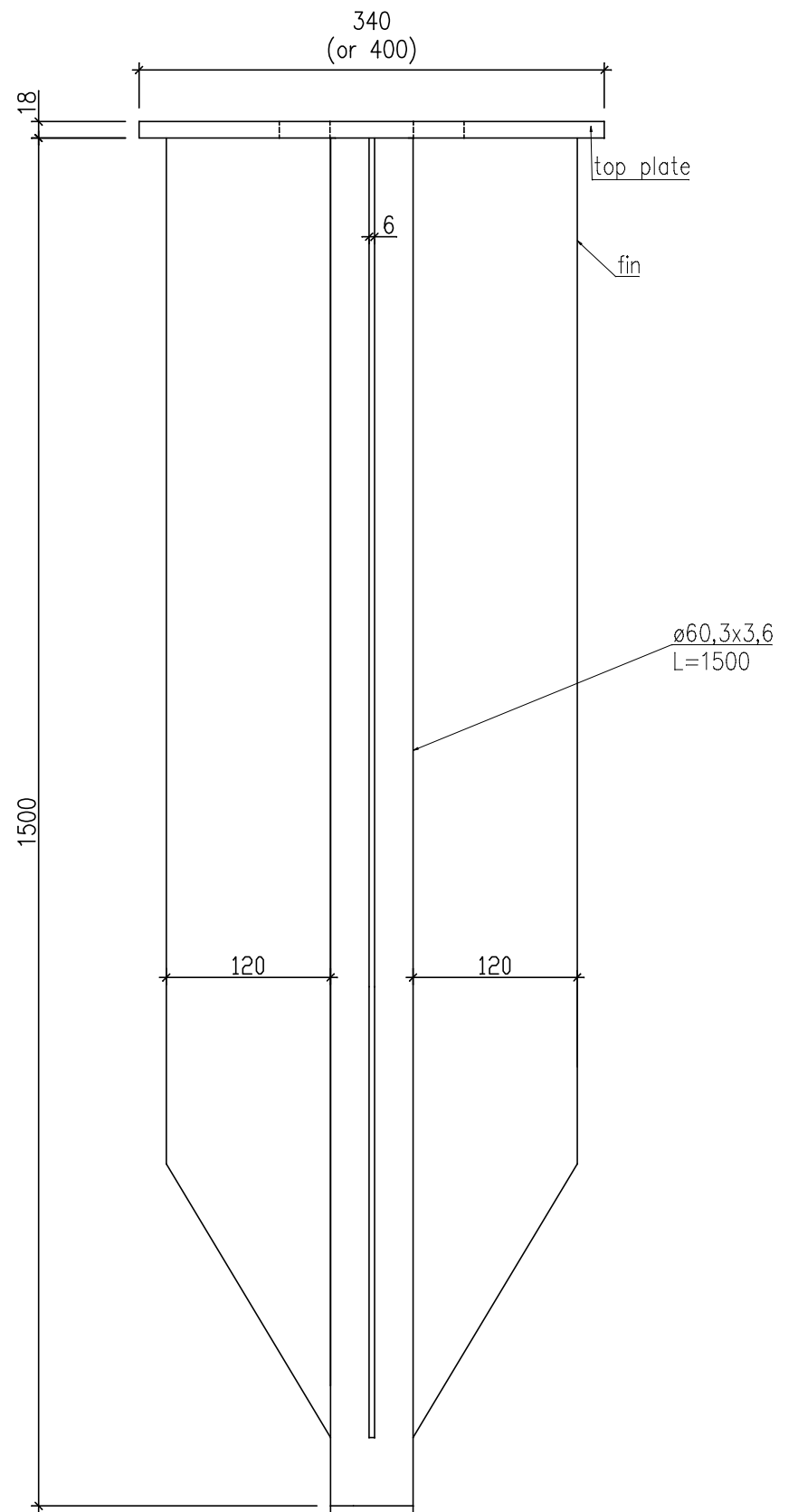
# SK 60 TV 1665



A-A

Solution with shovel  
SCALE 1:5

# GP 60 TV 1500



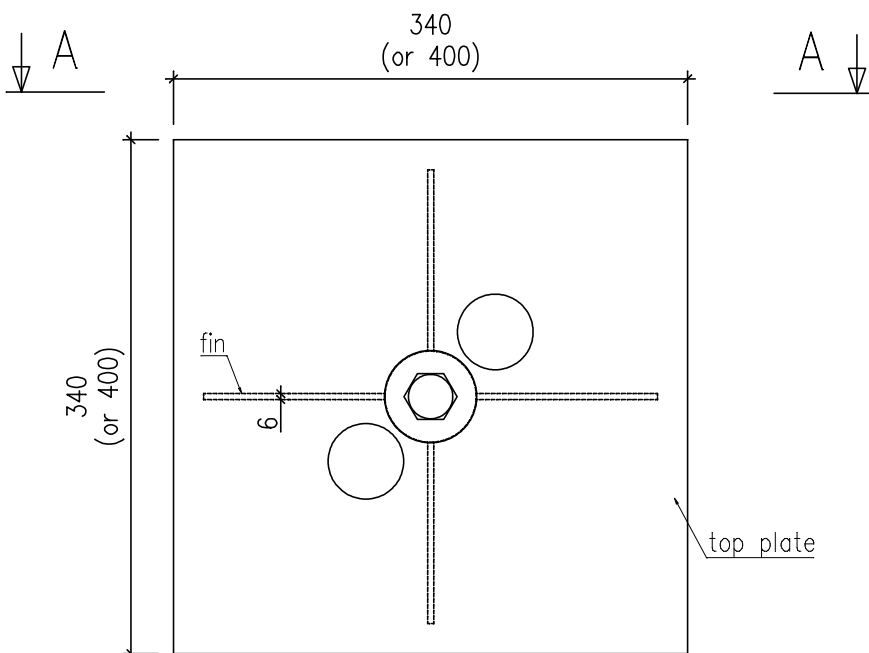
A-A

Solution without shovel  
SCALE 1:5

## REMARKS:

1. Dimensions of holes for bolts based on contracting body need.
2. Distance between holes based on contracting body need.
3. Size of bolts/threaded rods based on contracting body need.
4. Recommended bolts/threaded rods are: M20 cl.8.8.
5. Cl.8.8 can be changed to A4-80 upon request.
6. Main grade of the steel is s355. It can be changed to s235 upon request.

# CONFIDENTIAL

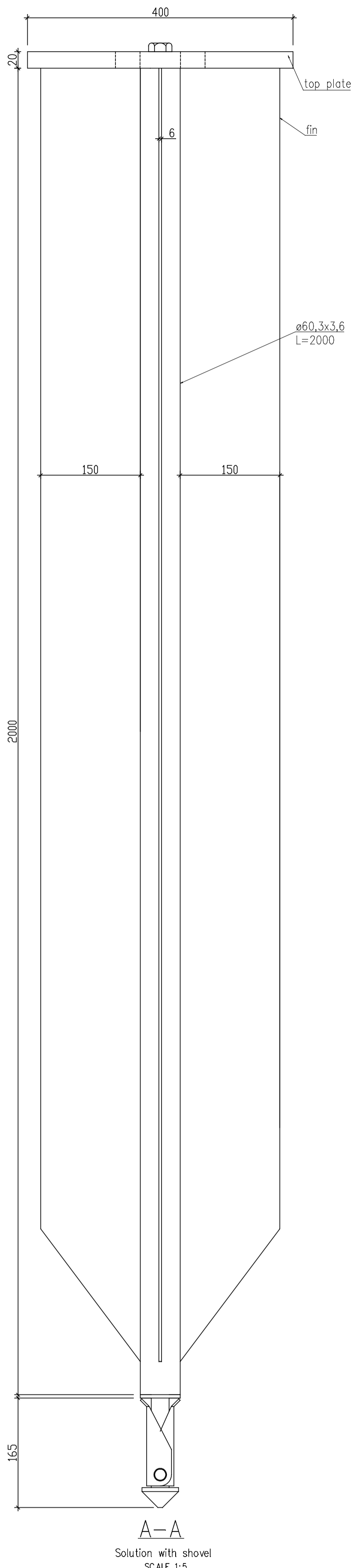


## GROUND PLUG™

Finish Acc. to EN ISO 1461		Material/Steel grade S355		Sub-grade -		Tolerances acc. to: PN-EN ISO 9013:2008 PN-EN ISO 13920:2000	
Design	www.groundplug.com	Signature	Date	2015-03-18		Scale 1:5;1:2	
Draw	www.groundplug.com			2015-03-18			
Check	Name	Signature	Date	Format	Version	Change/Date	
Confirm				A3	v1	2015-03-18	
Product GP60TV1500/SK60TV1665			Top plate 340x340 400x400		File name sales drawing		Sheet
Object name GP60TV1500/SK60TV1665					Number of drawing GroundPlug		Projection

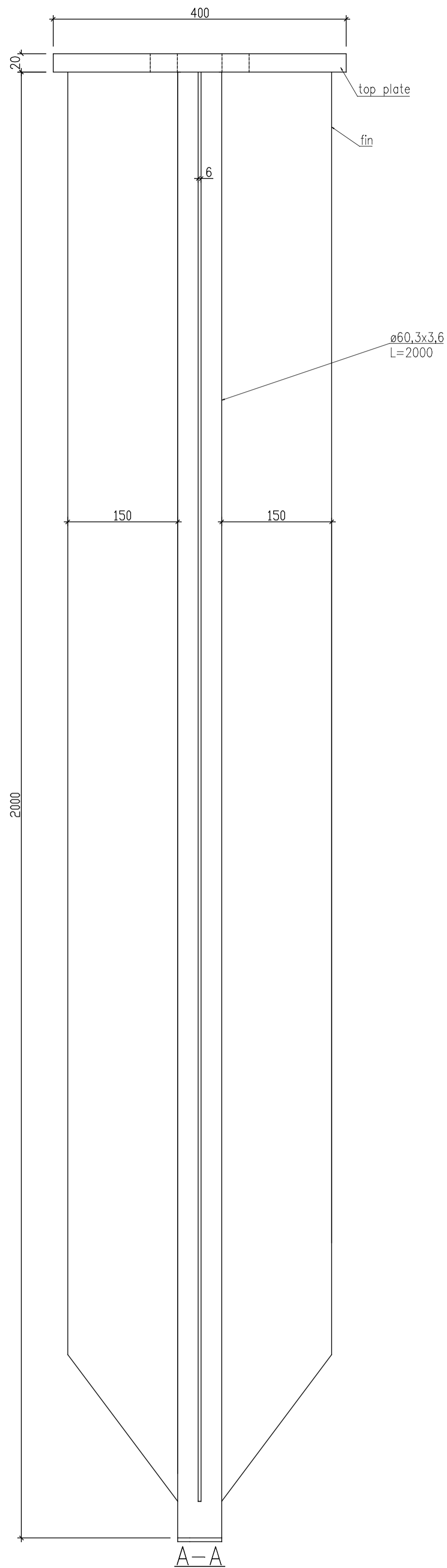


SK 60 TV 2165

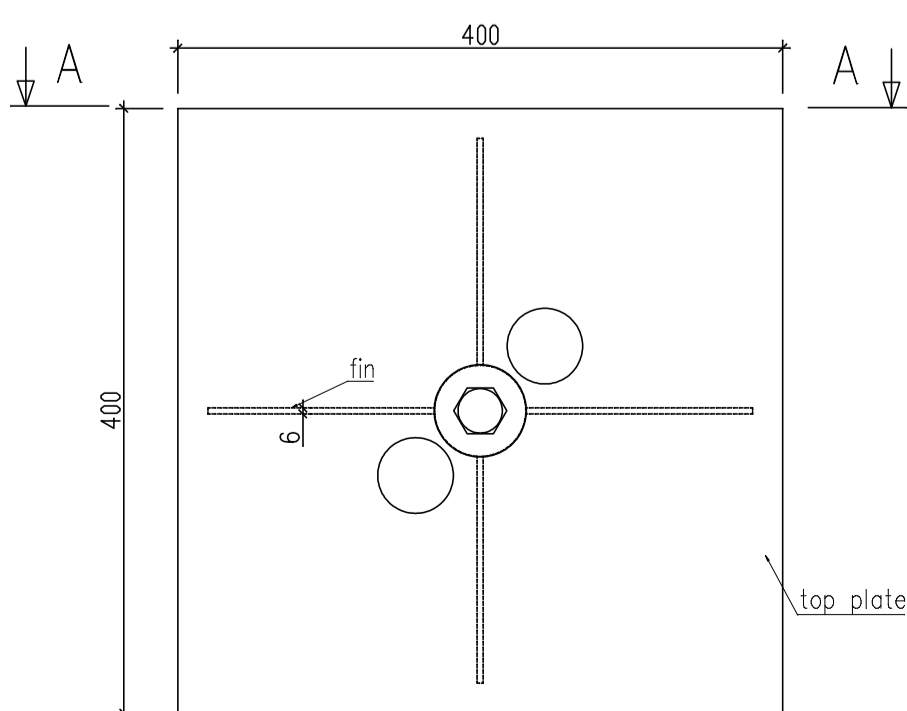


A-A  
Solution with shovel  
SCALE 1:5

GP 60 TV 2000



A-A  
Solution without shovel  
SCALE 1:5



REMARKS:

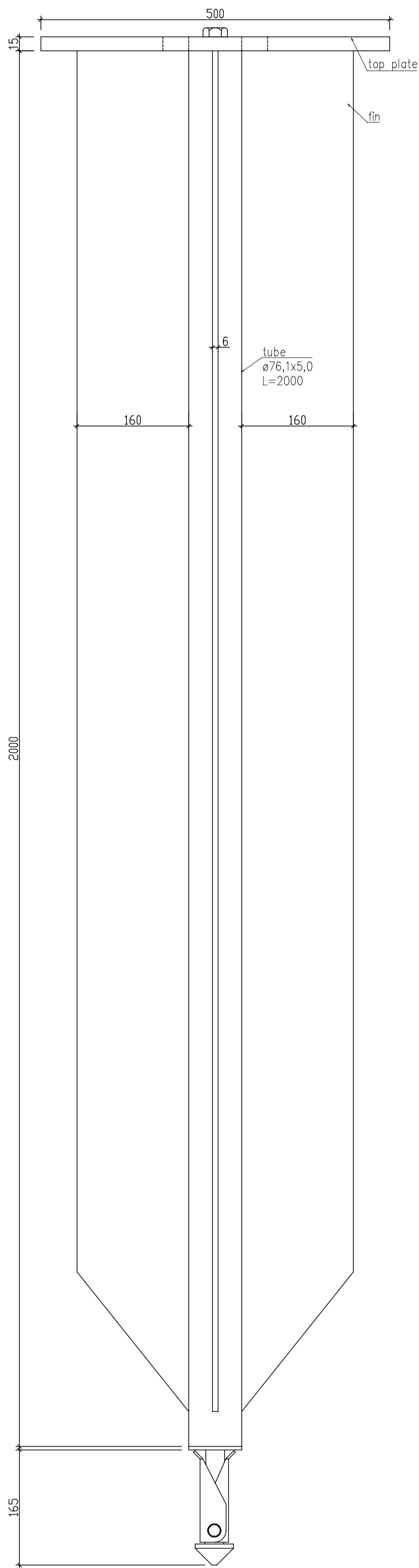
1. Dimensions of holes for bolts based on contracting body need.
2. Distance between holes based on contracting body need.
3. Size of bolts/threaded rods based on contracting body need.
4. Recommended bolts/threaded rods are: M20 cl.8.8.
5. Cl.8.8 can be changed to A4-80 upon request.
6. Main grade of the steel is s355. It can be changed to s235 upon request.

CONFIDENTIAL

**GROUND PLUG™**

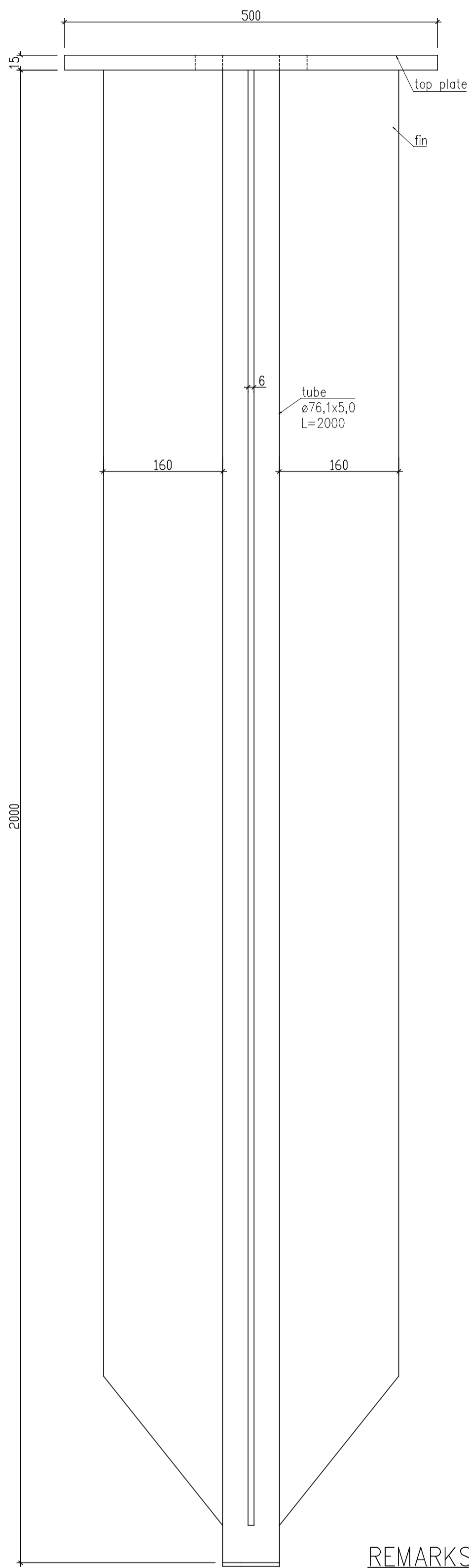
Finish Acc. to EN ISO 1461	Material/Steel grade S355	Sub-grade -	Tolerances acc. to: PN-EN ISO 9013:2008 PN-EN ISO 13920:2000
Design www.groundplug.com	Date 2015-03-18	Scale 1:5;1:2	
Draw www.groundplug.com	Date 2015-03-18	Format A2	Version v1
Check Name	Signature	Change/Date 2015-03-18	
Confirm			
Product GP60TV2000/SK60TV2165	Top plate 400x400	File name sales drawing	Sheet
Object name GP60TV2000/SK60TV2165		Number of drawing GroundPlug	Projection ⊥

SK 76 TV 2165

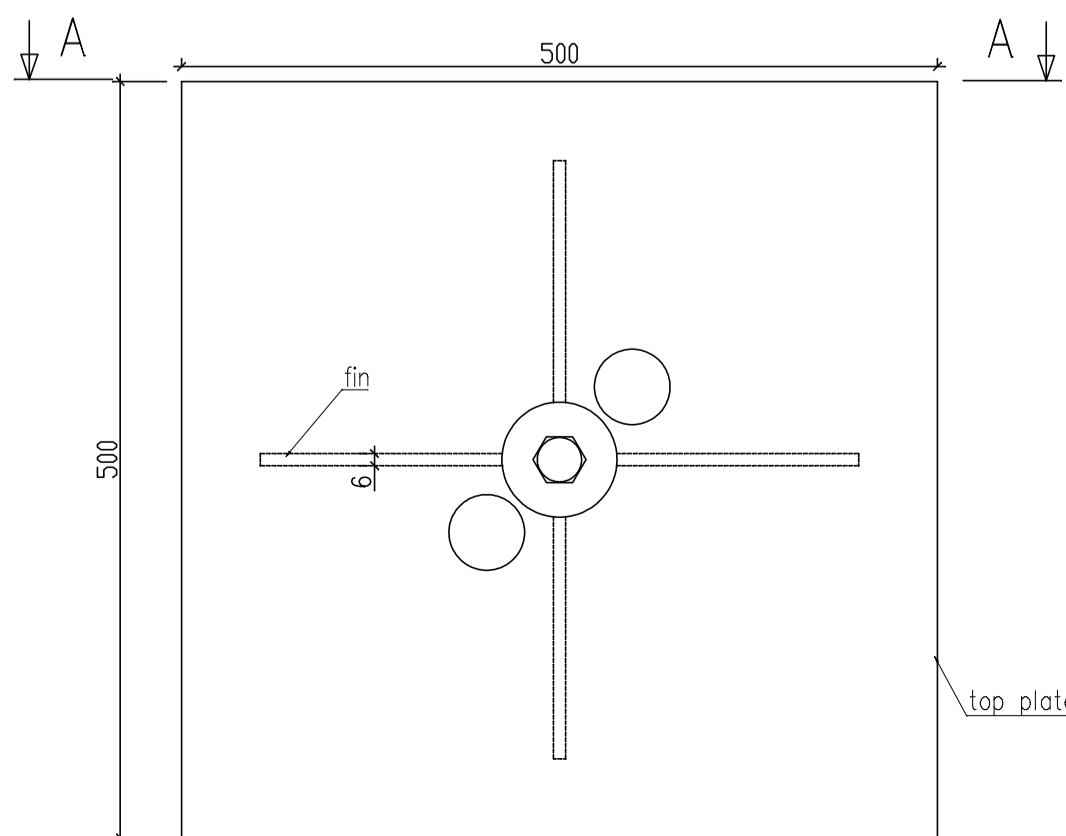


A-A  
Solution with shovel  
SCALE 1:5

GP 76 TV 2000



A-A  
Solution without shovel  
SCALE 1:5



REMARKS:

1. Dimensions of holes for bolts based on contracting body need.
2. Distance between holes based on contracting body need.
3. Size of bolts/threaded rods based on contracting body need.
4. Recommended bolts/threaded rods are: M24 cl.8.8.
5. Cl.8.8 can be changed to A4-80 upon request.
6. Main grade of the steel is s355. It can be changed to s235 upon request.

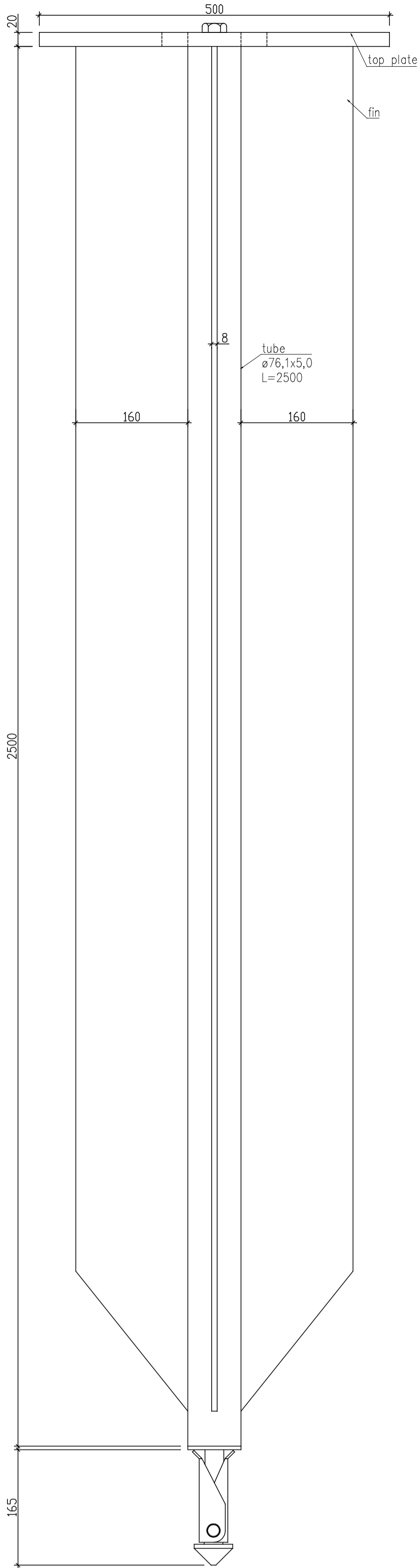
CONFIDENTIAL

**GROUND PLUG™**

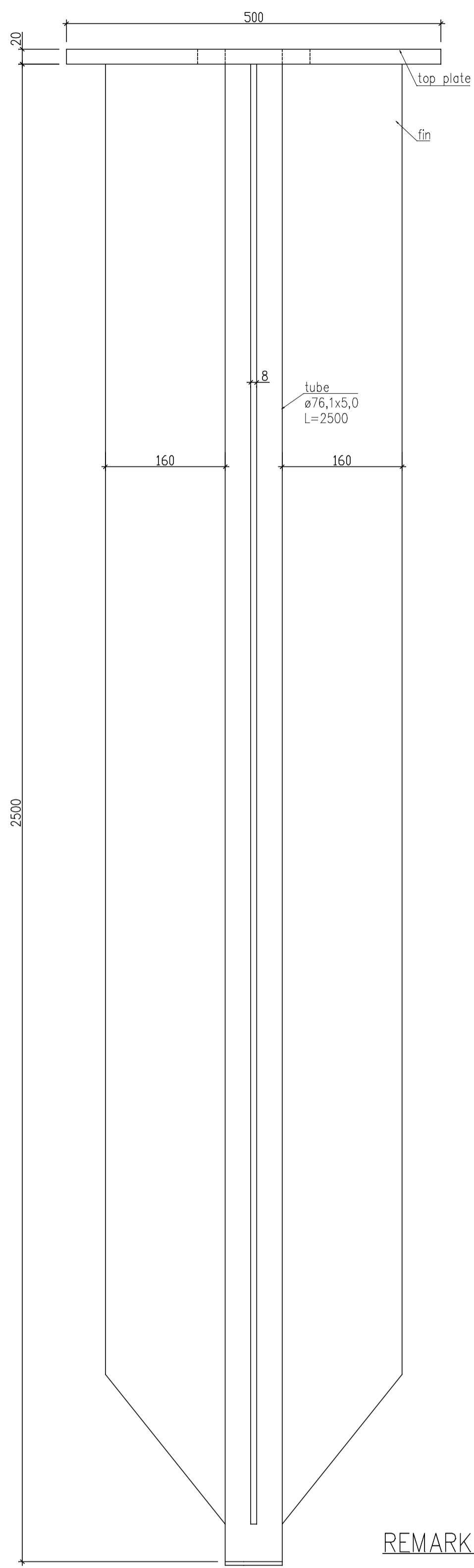
Finish	Acc. to EN ISO 1461	Material/Steel grade	S355	Sub-grade	-	Tolerances acc. to:	PN-EN ISO 9013:2008 PN-EN ISO 13920:2000
Design	www.groundplug.com	Date	2015-03-18	Scale	1:5; 1:2		
Draw	www.groundplug.com	Date	2015-03-18	Format	A2	Version	v1
Check		Signature		Change/Date			
Confirm		Signature		Change/Date			
Product	GP76TV2000/SK76TV2165		Top plate	500x500		File name	sales drawing
Object name	GP76TV2000/SK76TV2165			Number of drawing	GroundPlug	Projection	⊕

SK 76 TV 2665

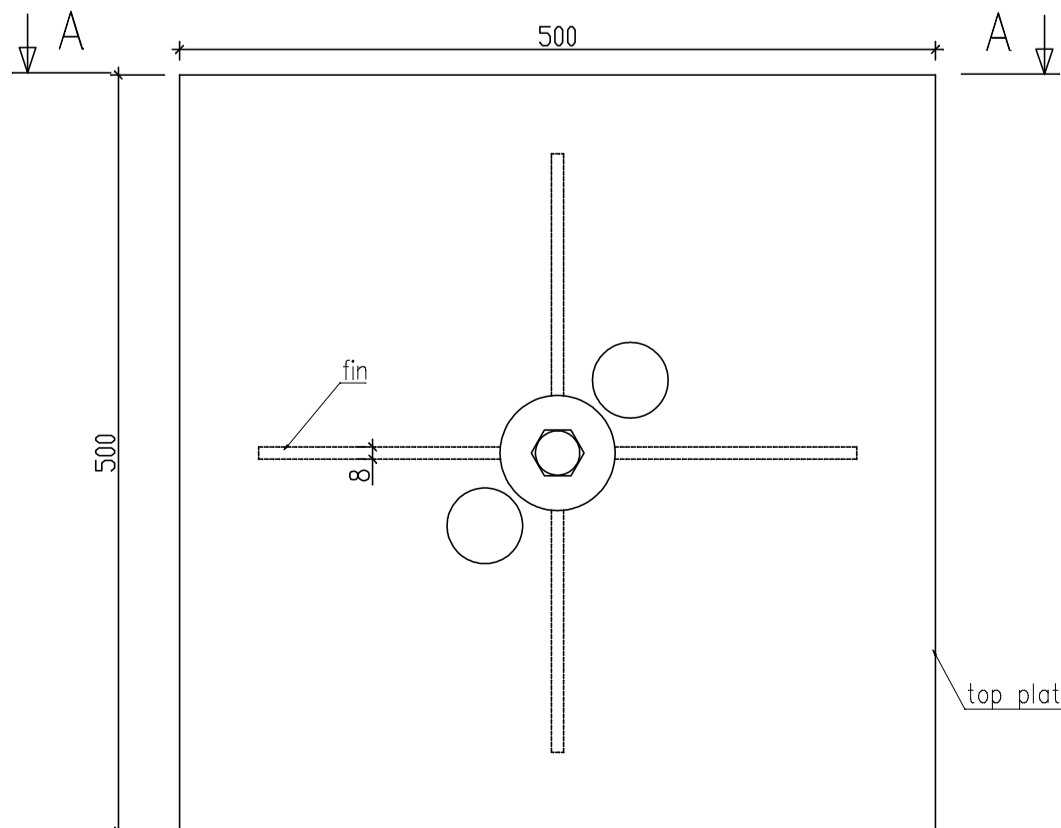
GP 76 TV 2500



A-A  
Solution with shovel  
SCALE 1:5



A-A  
Solution without shovel  
SCALE 1:5



REMARKS:

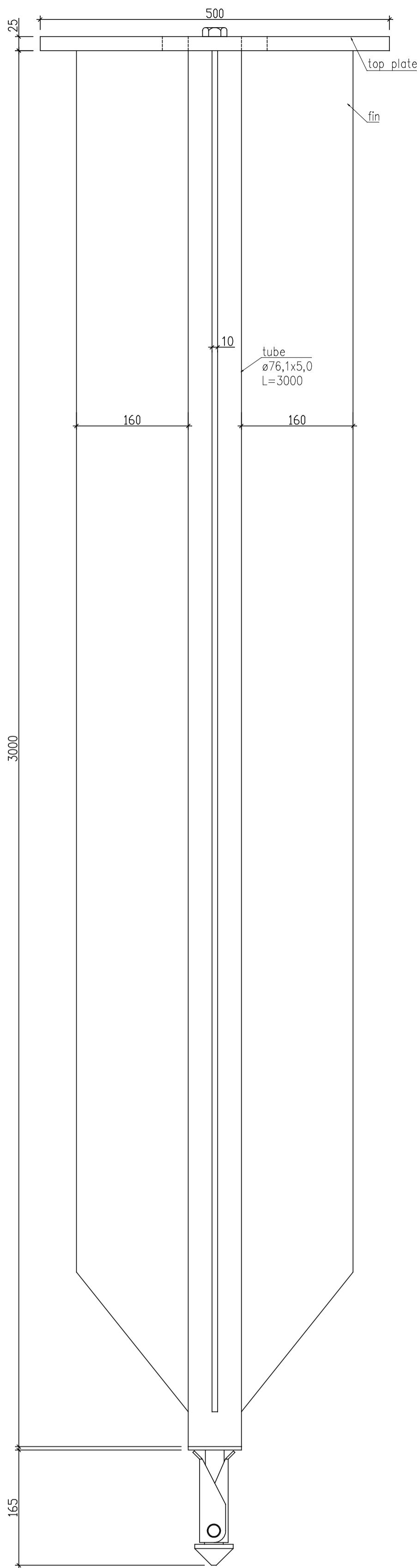
1. Dimensions of holes for bolts based on contracting body need.
2. Distance between holes based on contracting body need.
3. Size of bolts/threaded rods based on contracting body need.
4. Recommended bolts/threaded rods are: M24 cl.8.8.
5. C1.8.8 can be changed to A4-80 upon request.
6. Main grade of the steel is s355. It can be changed to s235 upon request.

CONFIDENTIAL

**GROUND PLUG™**

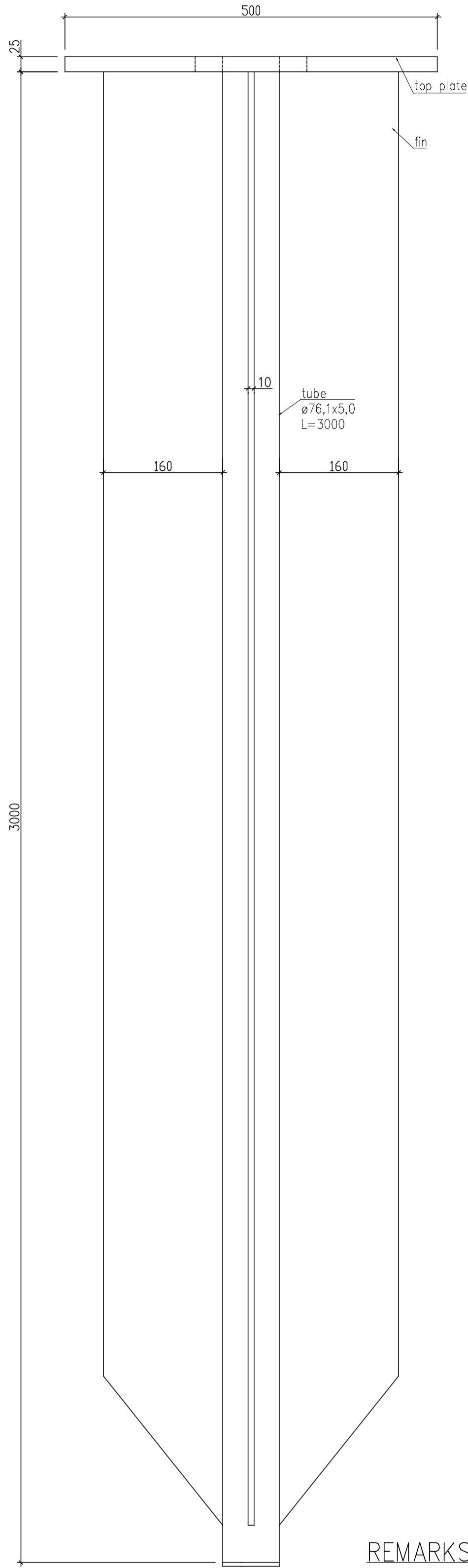
Finish Acc. to EN ISO 1461	Material/Steel grade S355	Sub-grade -	Tolerances acc. to: PN-EN ISO 9013:2008 PN-EN ISO 13920:2000
Design www.groundplug.com	2015-03-18	Scale 1:5;1:2	
Draw www.groundplug.com	Date 2015-03-18	Format A2	Version v1
Check	Signature	Change/Date 2015-03-18	
Confirm			
Product GP76TV2500/SK76TV2665	Top plate 500x500	File name sales drawing	Sheet
Object name GP76TV2500/SK76TV2665		Number of drawing GroundPlug	Projection

SK 76 TV 3165

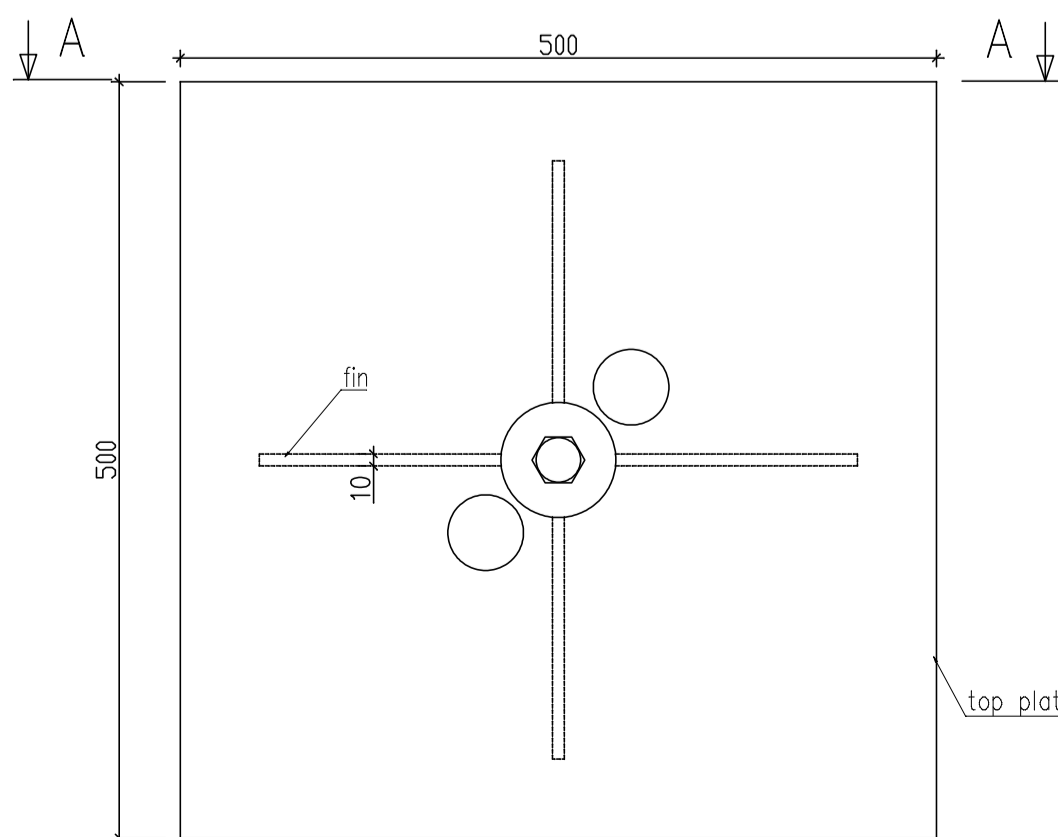


A-A  
Solution with shovel  
SCALE 1:5

GP 76 TV 3000



A-A  
Solution without shovel  
SCALE 1:5



REMARKS:

1. Dimensions of holes for bolts based on contracting body need.
2. Distance between holes based on contracting body need.
3. Size of bolts/threaded rods based on contracting body need.
4. Recommended bolts/threaded rods are: M27 cl.8.8.
5. Cl.8.8 can be changed to A4-80 upon request.
6. Main grade of the steel is s355. It can be changed to s235 upon request.

CONFIDENTIAL

**GROUND PLUG™**

Finish	Acc. to EN ISO 1461	Material/Steel grade	S355	Sub-grade	-	Tolerances acc. to:	PN-EN ISO 9013:2008 PN-EN ISO 13920:2000
Design	www.groundplug.com	Date	2015-03-18	Scale	1:5;1:2		
Draw	www.groundplug.com	Date	2015-03-18	Format	A2	Version	v1
Check	Name	Signature		Change/Date	2015-03-18		
Confirm	Name	Signature		Product	GP76TV3000/SK76TV3165	Top plate	500x500
				File name	sales drawing		Sheet
				Object name	GP76TV3000/SK76TV3165		Number of drawing
						GroundPlug	Projection

